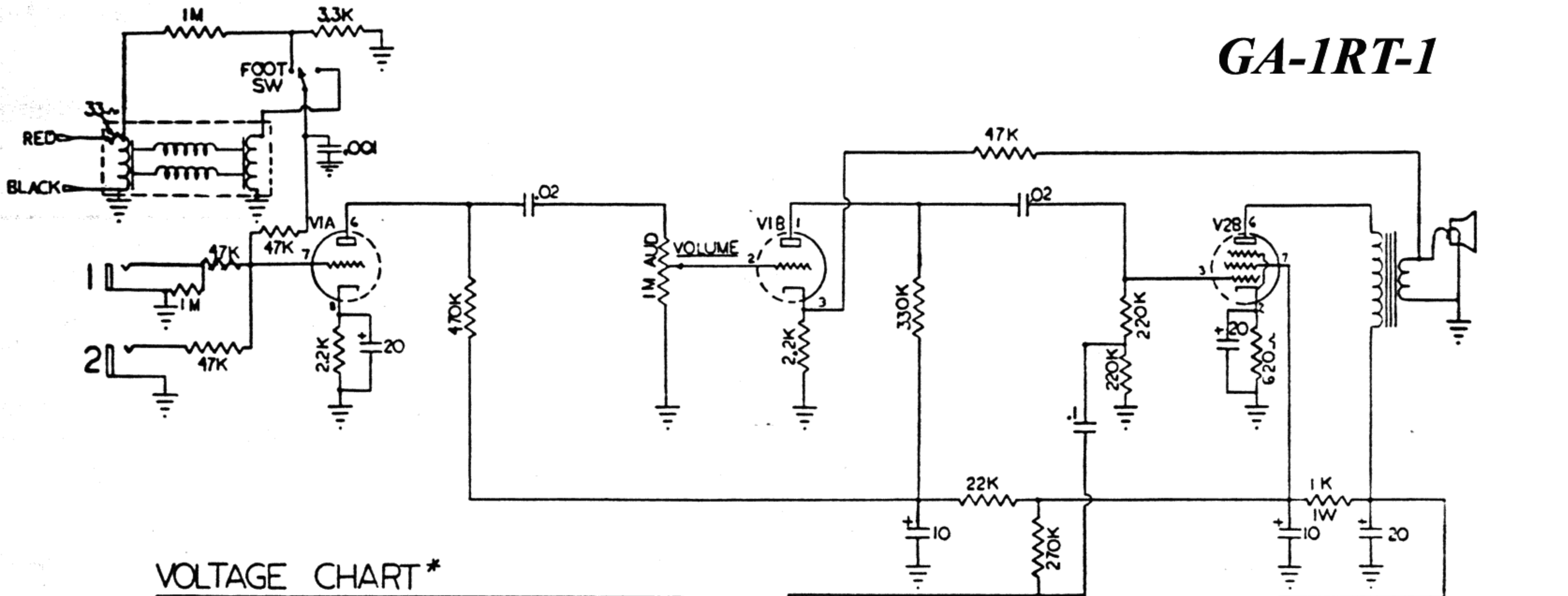


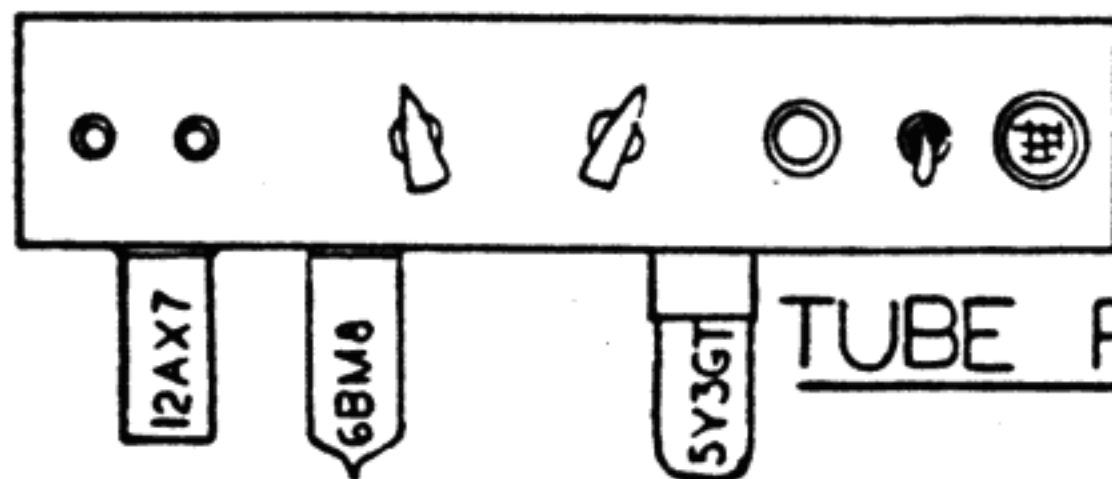
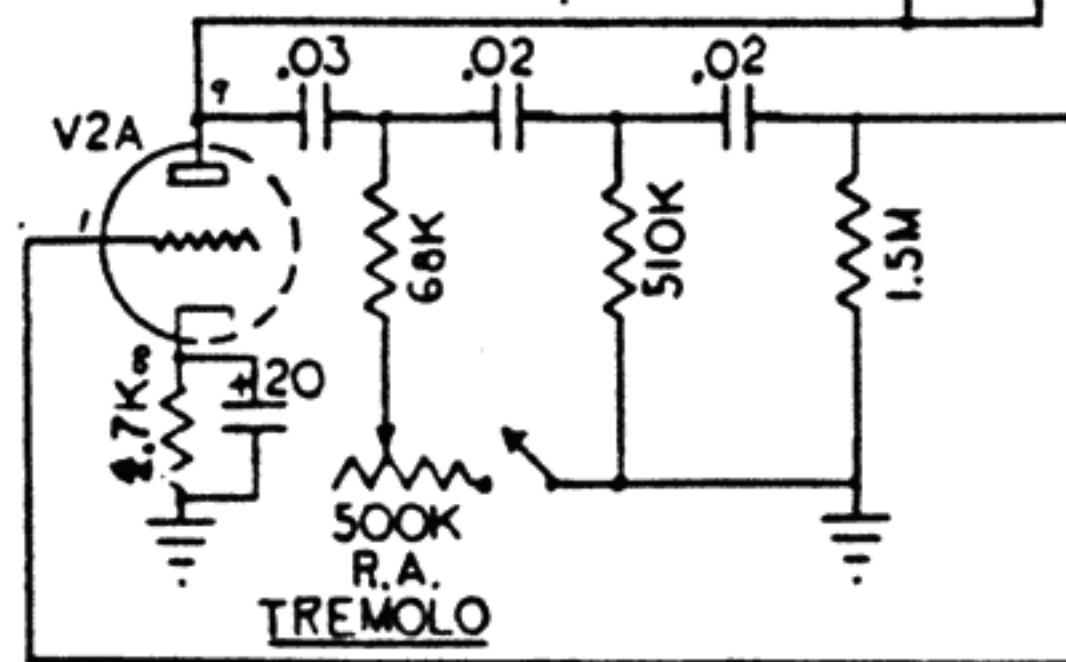
GA-1RT-1



VOLTAGE CHART*

NO.	TUBE TYPE	PIN 1	PIN 2	PIN 3	PIN 4	PIN 6	PIN 7	PIN 8	PIN 9
V1	12AX7	115	0	1	GND	100	0	.9	FIL
V2	6BM8	0	22	0	FIL	275	278	2.2	130
V3	5Y3GT	-	285	0	260 AC	260 AC	278	-	-

* ALL DC VOLTAGES MEASURED TO CHASSIS WITH 20,000 OHM-PER-VOLT METER.



TUBE PLACEMENT

