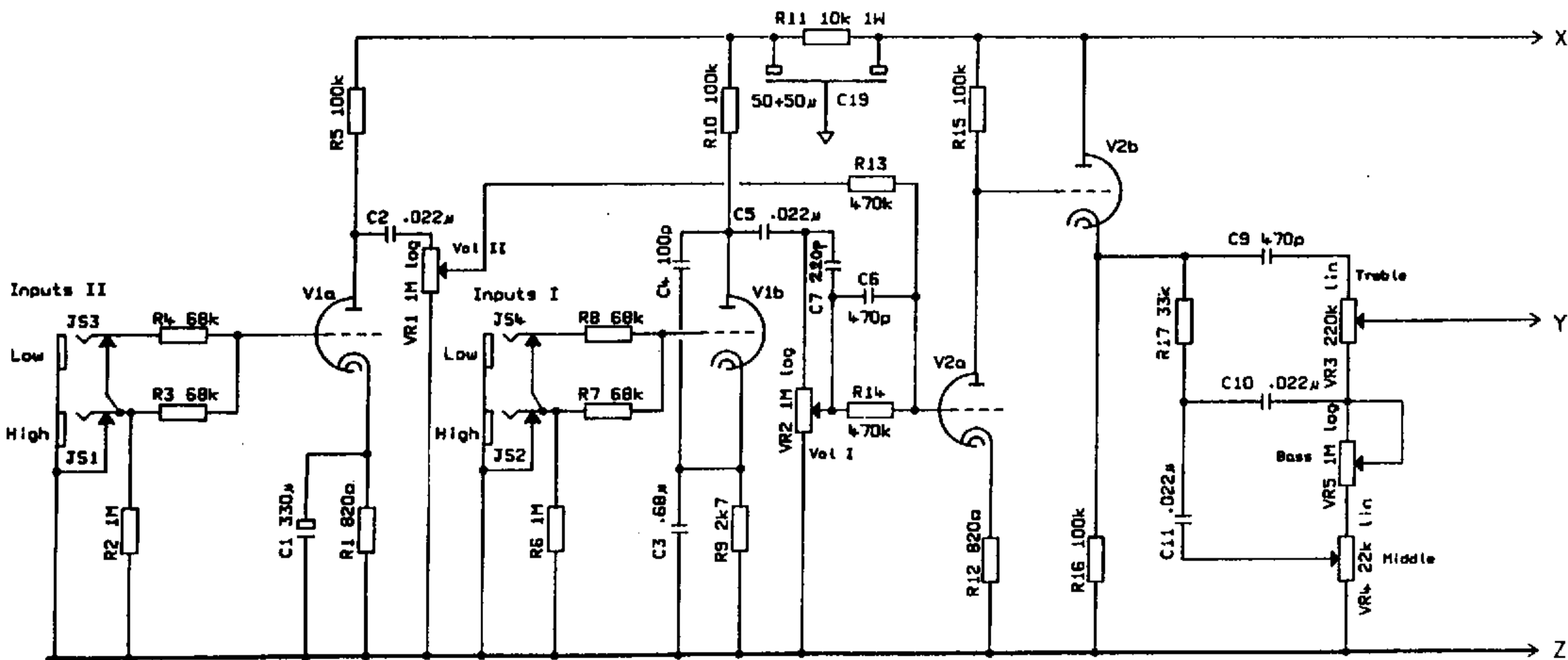


NOTES

PCB: JM80

V1.2: ECC83. filament supply shown on power stage diagram.

JS3.4 chassis mounted and linked to board



4	1B-5-88	CPV
ISS. DATE		DRN.

DRAWING NUMBER  
**1987** STD  
 Preamp

**MARSHALL**

JIM MARSHALL  
 PRODUCTS LTD.  
 BLETCHLEY  
 MILTON KEYNES  
 ENGLAND  
 File: 1987PRE.DGM

