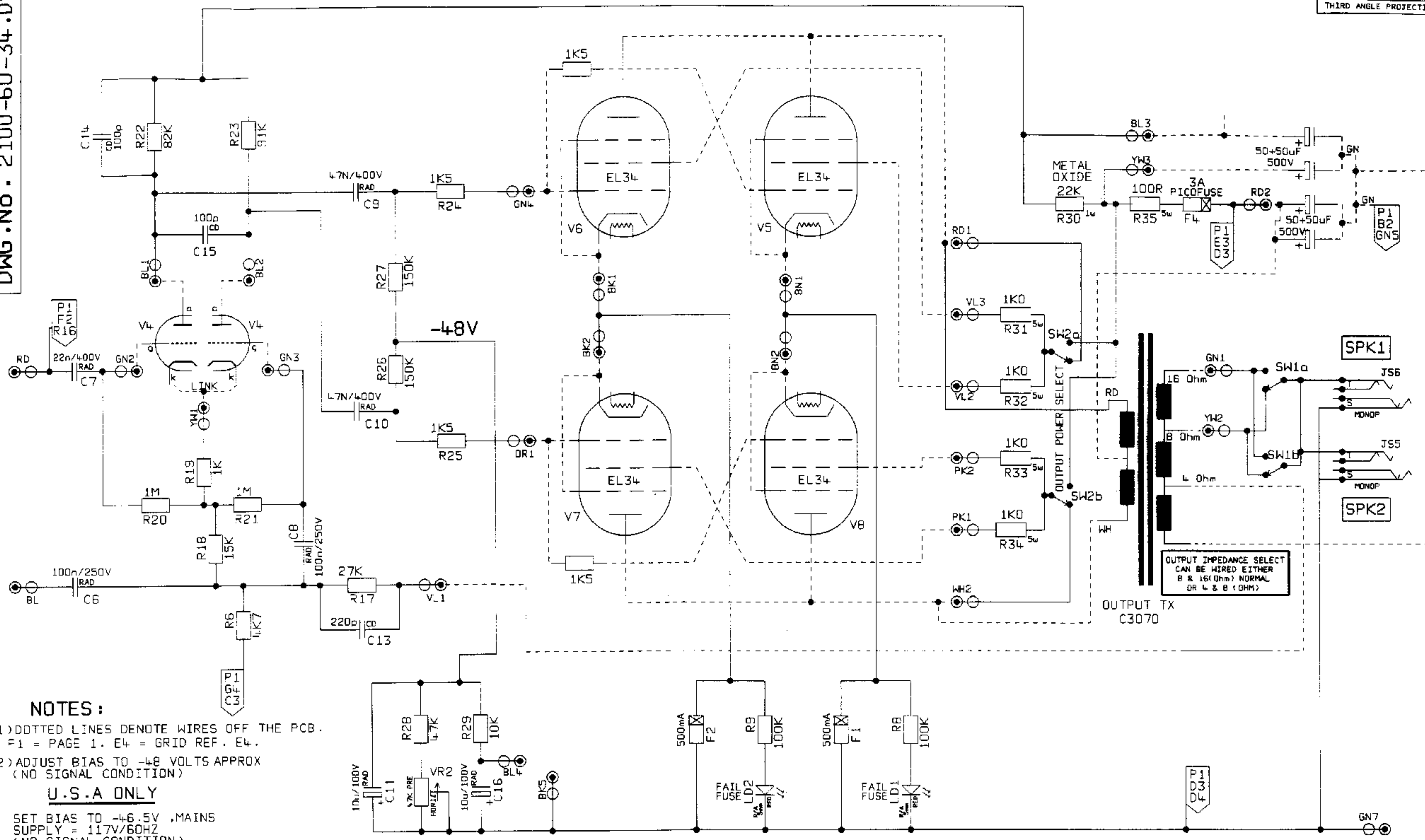
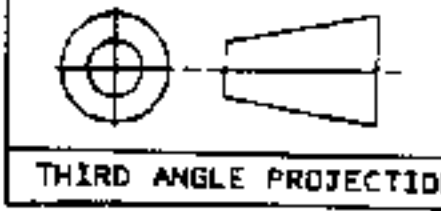


EL34 VALVE TYPE

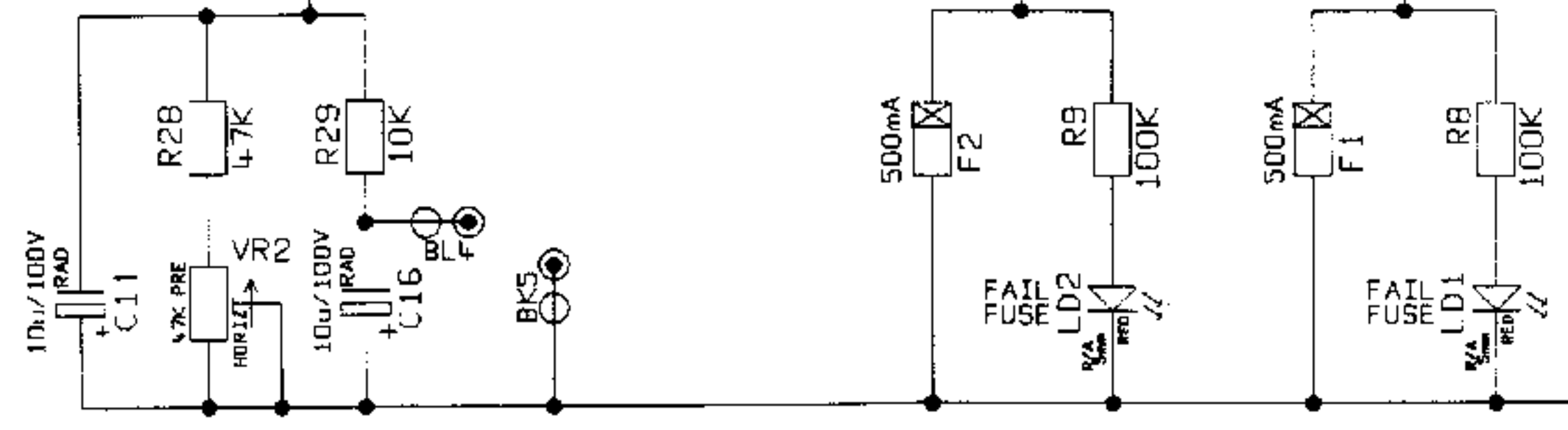


NOTES :

- 1) DOTTED LINES DENOTE WIRES OFF THE PCB.
P1 = PAGE 1. E4 = GRID REF. E4.
- 2) ADJUST BIAS TO -48 VOLTS APPROX
(NO SIGNAL CONDITION)

U.S.A ONLY

SET BIAS TO -46.5V ,MAINS
SUPPLY = 117V/60HZ
(NO SIGNAL CONDITION)



ISS	ECO NUMBER	DATE	
10	0988	6/8/95	G
9	0868	12/4/95	A
8	0688	17-11-94	B
7	0707	24/08/94	C
5	0444	8-11-93	D
4	0435	19-10-93	E
3	0408	24-8-93	F

UNSPECIFIED HOLE DATA	
	H
	J
	K
	L
	M
	N
	P

MATERIAL	
MATERIAL THICKNESS	
INTERNAL BND RADII	
EXTERNAL BA	
BEND DIE	

DIMENSIONS IN	
TOLERANCE (UNLESS OTHERWISE STATED)	
DIMENSIONAL	
CENTRES	
ANGULAR	

Marshall

COPYRIGHT EXISTS ON THIS DOCUMENT. IT MUST NOT BE USED FOR ANY PURPOSE THAN THAT FOR WHICH IT IS SUPPLIED AND MUST NOT BE REPRODUCED OR IN PART WITHOUT WRITTEN PERMISSION FROM
MARSHALL AMPLIFICATION PLC
DENWIGH ROAD, BLETCHLEY, MILTON KEYNES, MK1 1DQ.
TEL: (0908)375411 FAX: (0908)376118

TITLE	
POWER AMP CCT	
DWG.No	ISSUE
2100-60-34	10