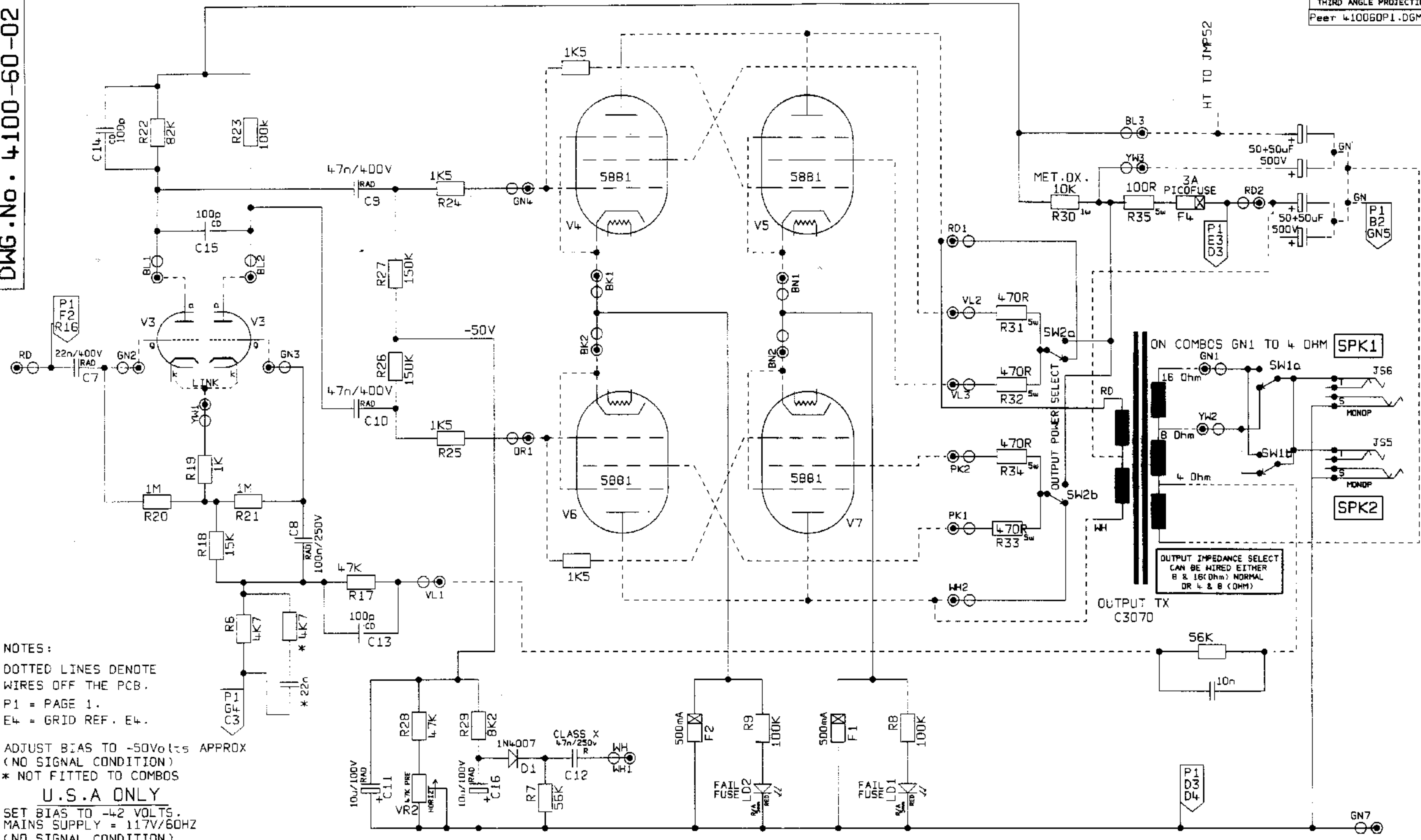


DWG.No: 4100-60-02



NOTES:  
 DOTTED LINES DENOTE WIRES OFF THE PCB.  
 P1 = PAGE 1.  
 E4 = GRID REF. E4.  
 ADJUST BIAS TO -50Volts APPROX (NO SIGNAL CONDITION)  
 \* NOT FITTED TO COMBOS  
**U.S.A ONLY**  
 SET BIAS TO -42 VOLTS.  
 MAINS SUPPLY = 117V/60HZ (NO SIGNAL CONDITION)

ISS	ECO NUMBER	DATE	A	B	C	D	E	F	G

UNSPECIFIED HOLE DATA	

MATERIAL		DIMENSIONS IN	
MATERIAL THICKNESS		TOLERANCE (UNLESS OTHERWISE STATED)	
INTERNAL BEND RADIUS		DIMENSIONAL	
EXTERNAL R/A		CENTRES	
BEND DIE		ANGULAR	
DRAWN: CJRH	DATE: 27/7/93	MODEL	
CHECKED: KSM	DATE: 5.10.94		
APPROVED	DATE		

**Marshall**

COPYRIGHT EXISTS ON THIS DOCUMENT. IT MUST NOT BE USED FOR ANY PURPOSE THAN THAT FOR WHICH IT IS SUPPLIED AND MUST NOT BE REPRODUCED OR IN PART) WITHOUT WRITTEN PERMISSION FROM  
 © MARSHALL AMPLIFICATION PLC  
 DENBISH ROAD, SLETCHELEY, MILTON KEYNES, MK1 1DQ.  
 TEL (0908) 375411 FAX (0908) 375118

TITLE	
POWER AMP CCT	
2 OF 2	
DWG.No	ISSUE
4100-60-02	11