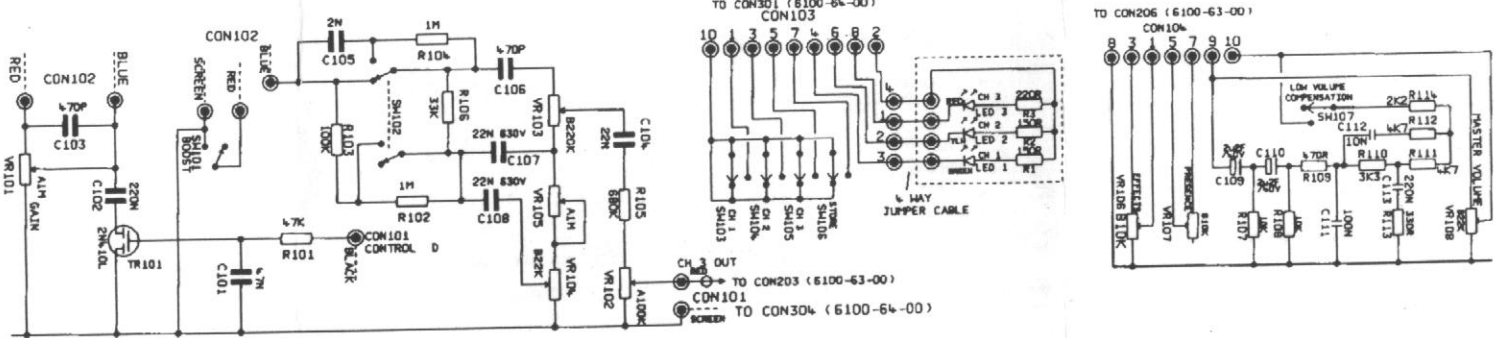


DWG. No. 6100-62-04



THIRD ANGLE PROJECTION



C101-NOT FITTED

ISS	ECO NUMBER	DATE	A	B	C	D	E	F	G	H
			A	H	INTERNAL	6100/6101				
			B	J	INTERNAL INCREASE					
			C	K	INTERNAL DIMINISH					
			D	L	INTERNAL NEW PART					
			E	M	EXTERNAL D/A					
			F	N	REVISION					
			G	P	DATE	15/05/92				
					CHECKED	DATE				
					APPROVED	DATE				

Marshall

TITLE
LEAD/MASTER CCT
A3

DWG. No. 6100-62-04
ISSUE 1

REVISIONS
6100/6101

© 1992 MARSHALL ELECTRONICS LTD
MARSHALL ROAD, BLETCHLEY, MILTON KEYNES, MK9 1UN, UK
TEL: (01295) 24111 FAX: (01295) 24110