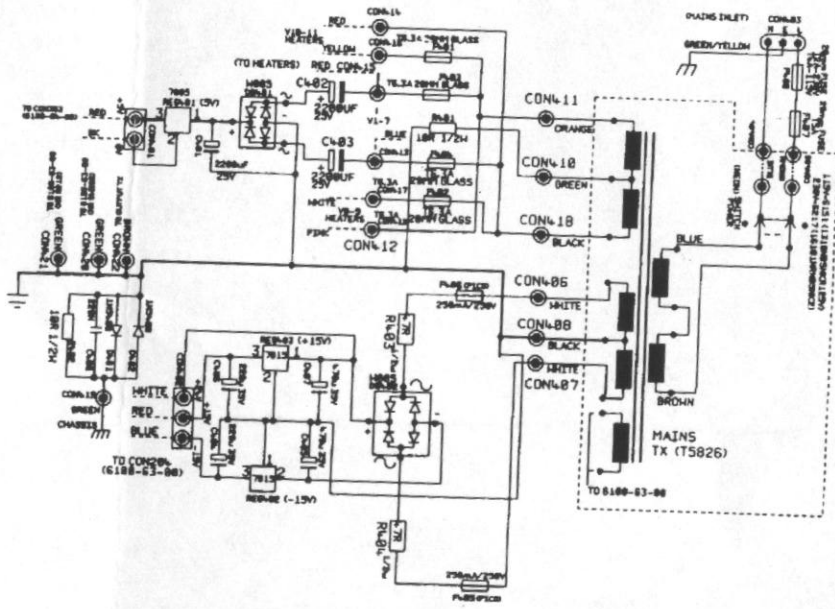
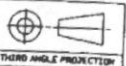


DWG. No. 6100-65-04



		UNSPECIFIED HOLE DATA												
6	0249		A	H	FORMAL									
			B	J	FORMAL TOLERANCE									
3	0219	13/07/92	C	K	FORMAL, 0.001 INCH									
		18/06/92	D	L	FORMAL, 0.001 INCH									
2		28/03/92	E	M	FORMAL									
1	RELEASED	13/05/92	F	N	FORMAL									
153	ECO NUMBER		G	P	FORMAL									

<p><i>Marshall</i></p> <p>DESIGNER: [] DATE: 15/05/92</p> <p>CHECKER: [] DATE: []</p> <p>APPROVED: [] DATE: []</p>		<p>SYMBOLS IN</p> <p>TOLERANCE UNLESS OTHERWISE STATED</p> <p>PROVISIONAL</p> <p>CONTOUR</p> <p>ANALOG</p>	
		<p>6100/6101</p>	
<p>TITLE</p> <p>PSU CCT</p>		<p>AW</p> <p>ISSUE</p> <p>4</p>	
<p>DWG. No</p> <p>6100-65-04</p>		<p>AW</p> <p>ISSUE</p> <p>4</p>	