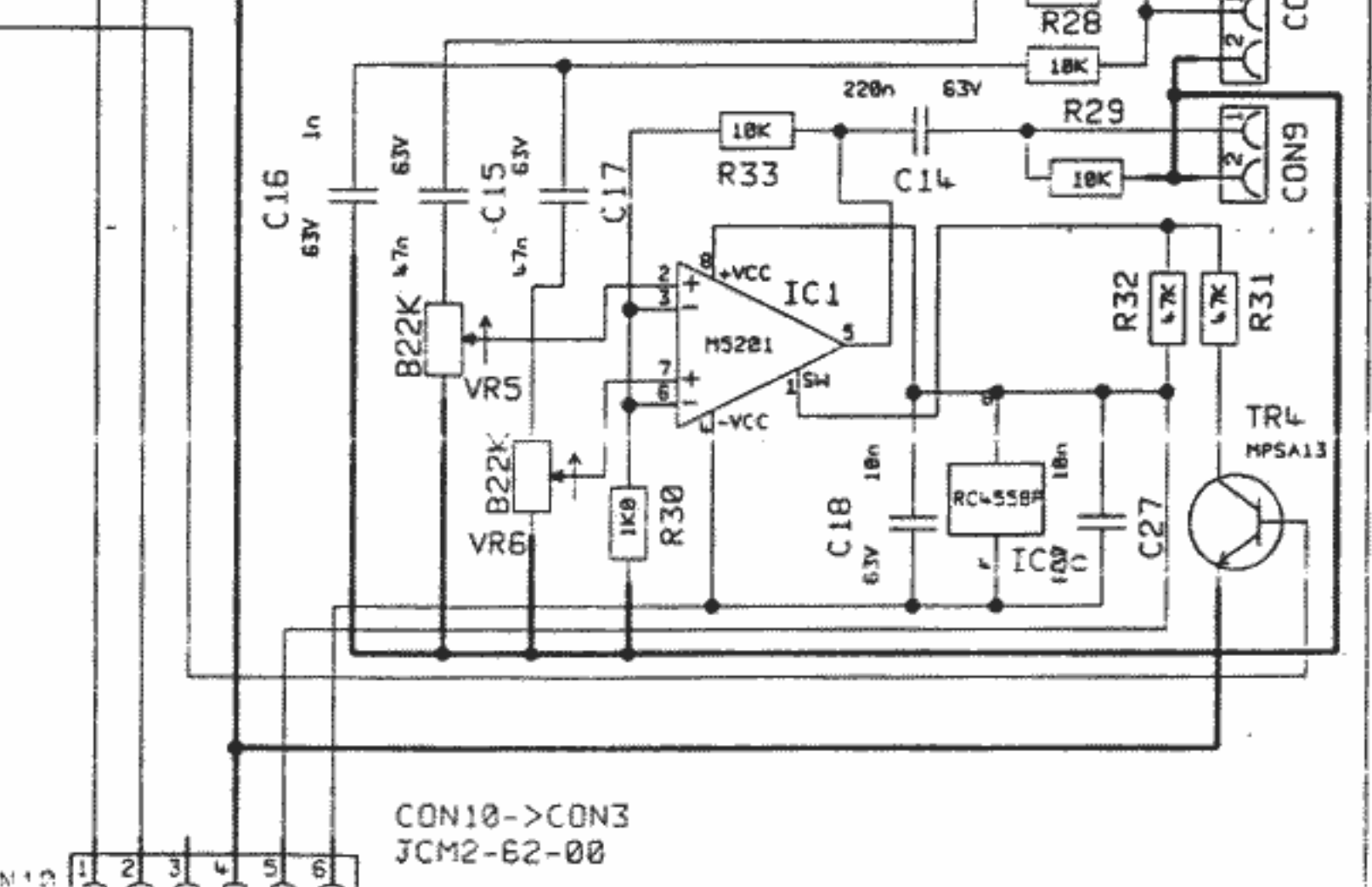
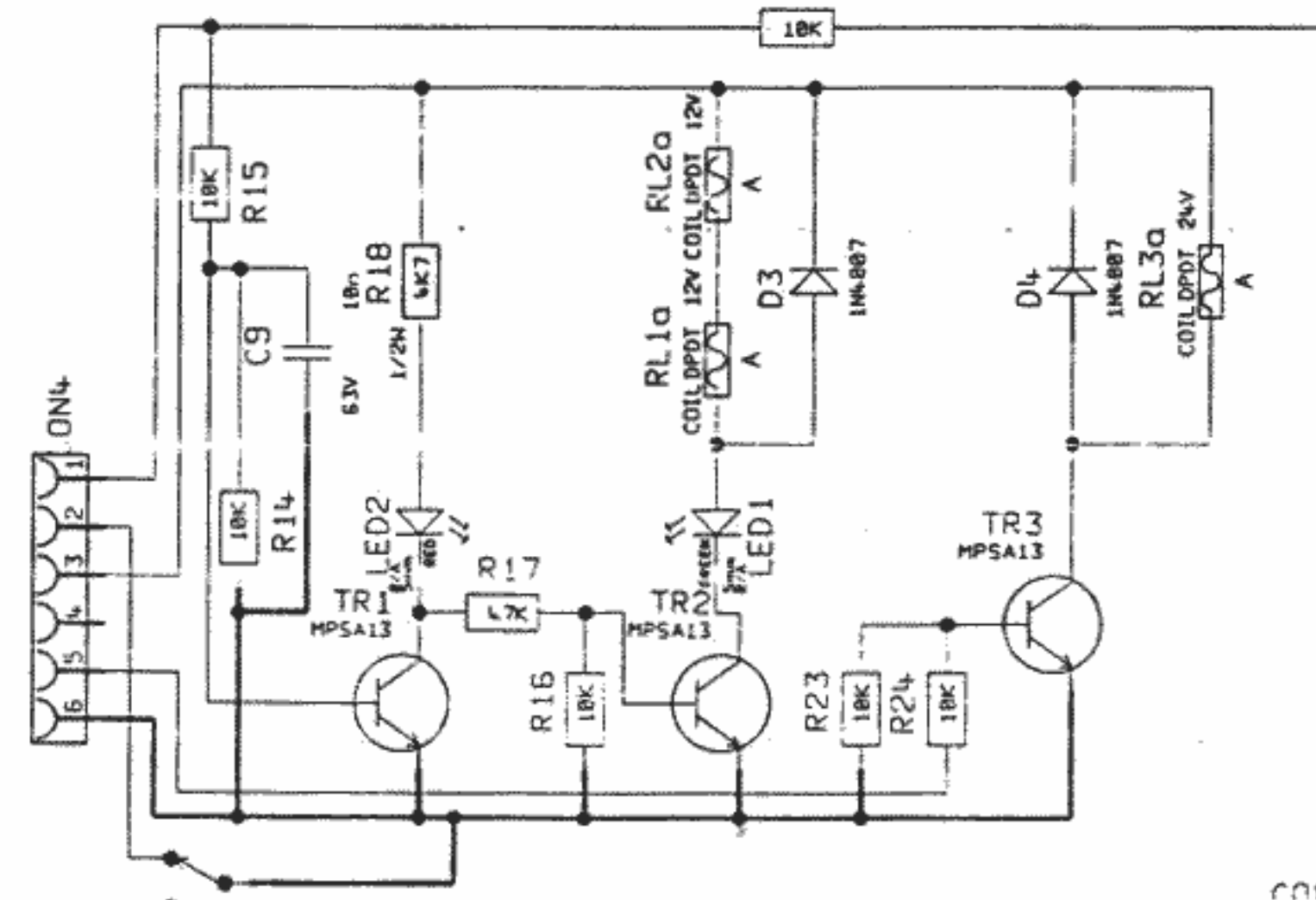
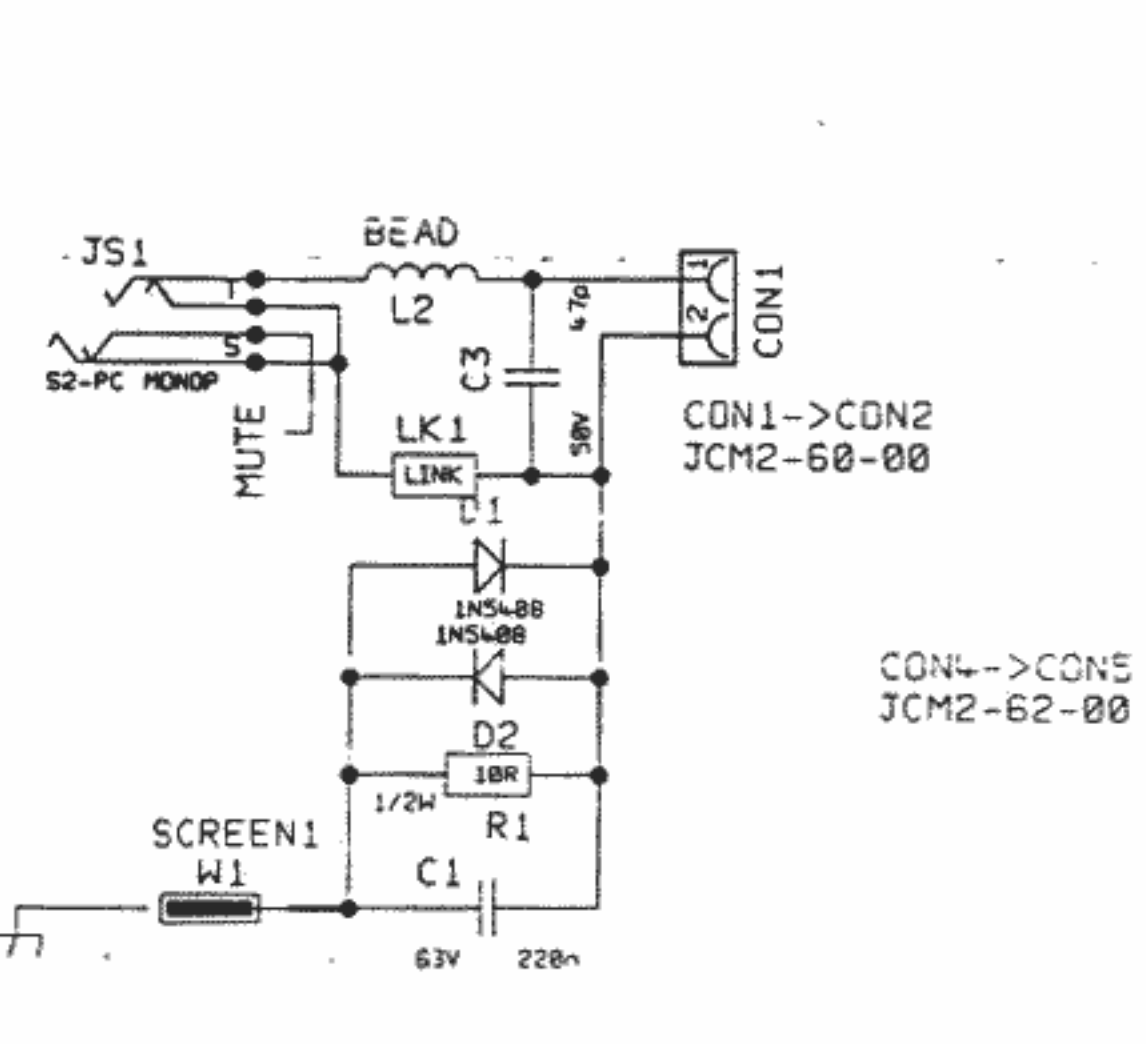
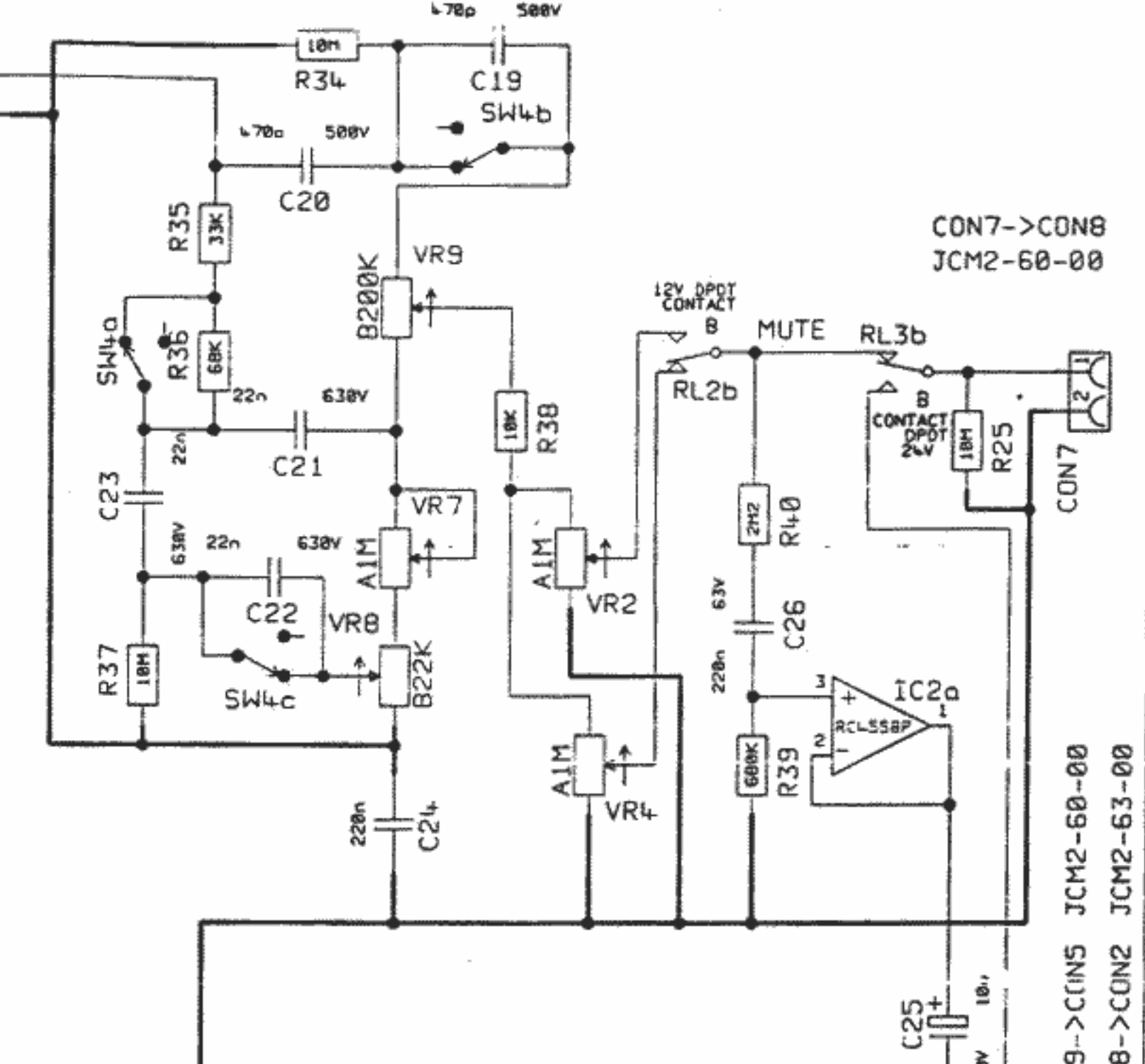
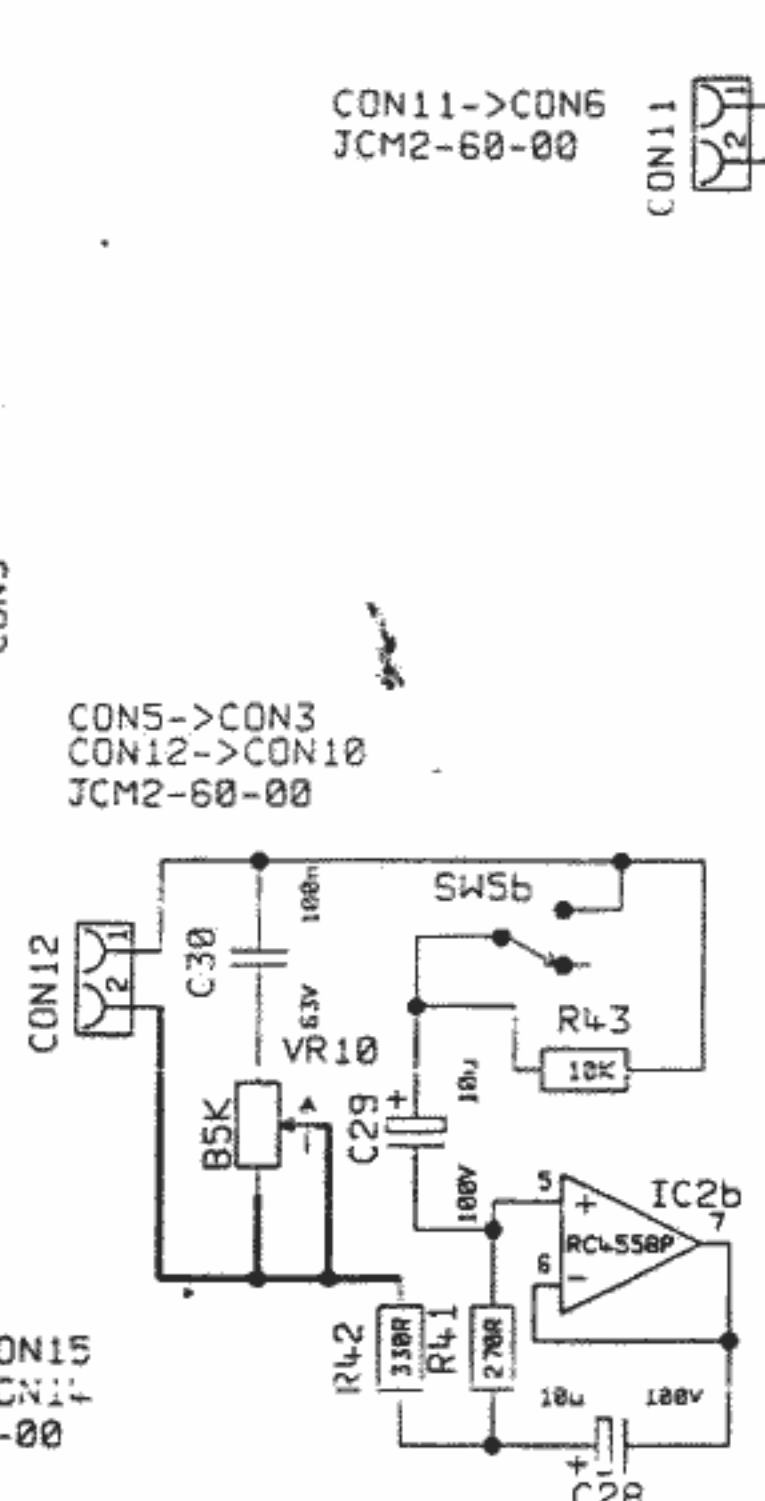
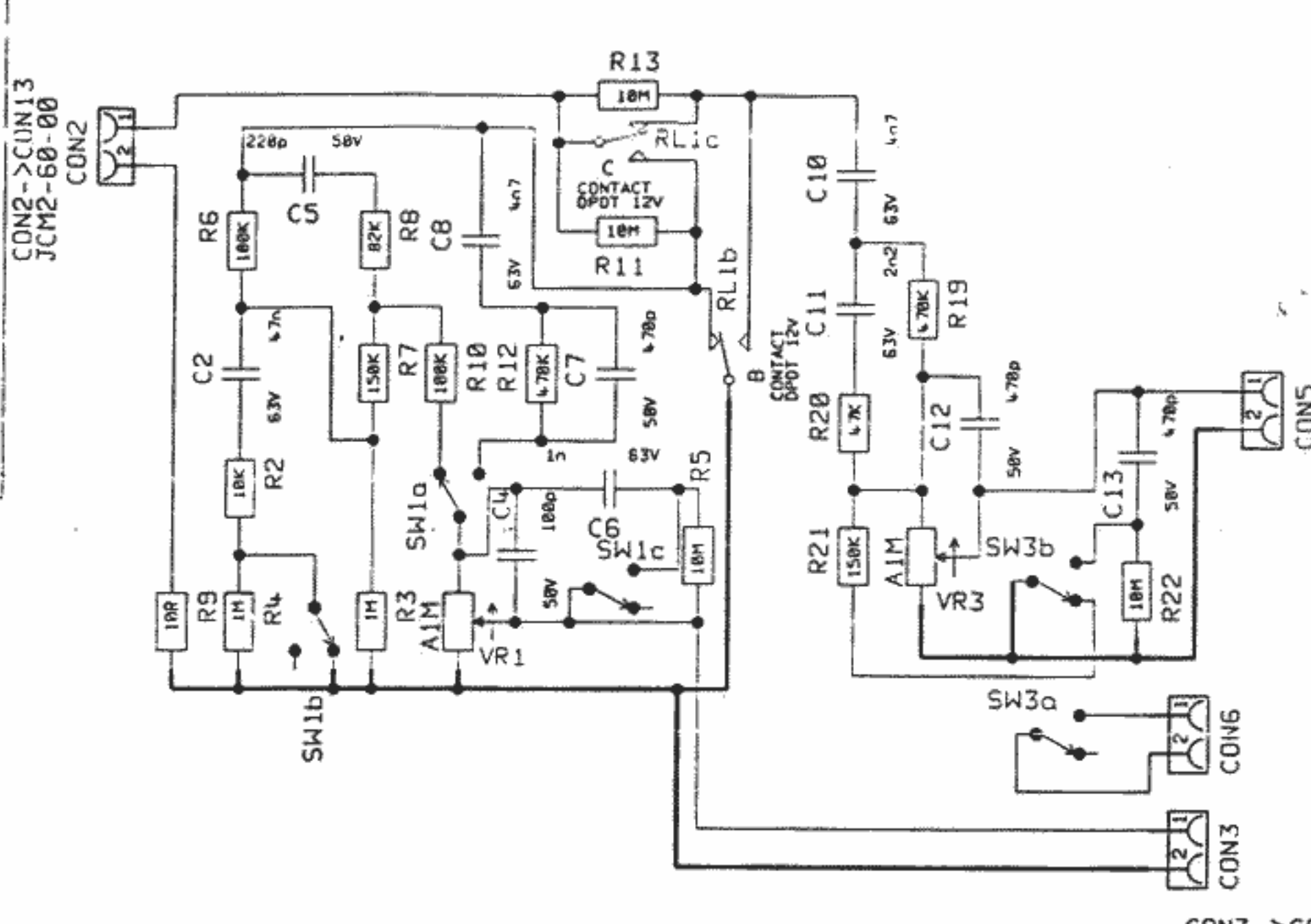


CON2->CON13
JCM2-60-00
CON2



| | | |
|-----|----------------|---------|
| 1 | PRODUCTION | 30/4/97 |
| C | PRE-PRODUCTION | 4/3/97 |
| ISS | ECO NUMBER | DATE |

| | | | |
|-------------------|---|----------------------|---|
| ALL OTHER HOLES = | | X = (THROUGH PLATED) | |
| A | E | T | N |
| B | F | K | P |
| C | G | L | Q |
| D | H | M | R |

| | | | |
|--------------------|----|-------------------------------------|---------|
| MATERIAL | | DIMENSIONS IN | |
| MATERIAL THICKNESS | | TOLERANCE (UNLESS OTHERWISE STATED) | |
| DRAWN | SG | DATE | 24.2.97 |
| CHECKED | | DATE | |
| APPROVED | | DATE | 24-6-97 |
| | | MODEL | JCM2000 |



| | |
|--------|--------------------|
| TITLE | JCM2000 |
| | SUPERLEAD STANDARD |
| DWG.No | JCM2-61-00.DGM |
| ISS | 1 |