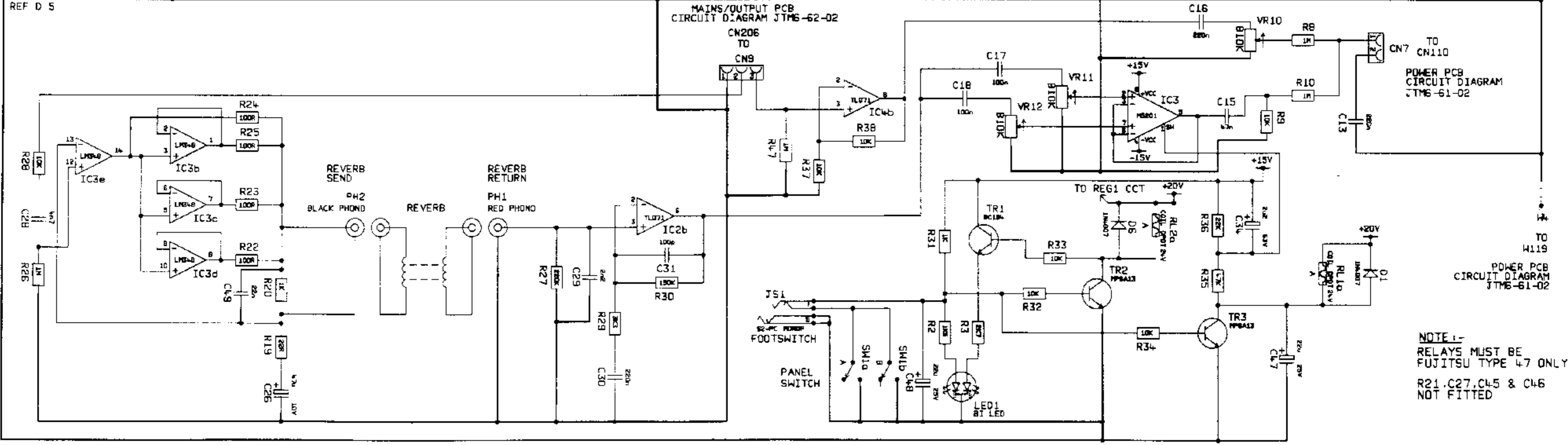
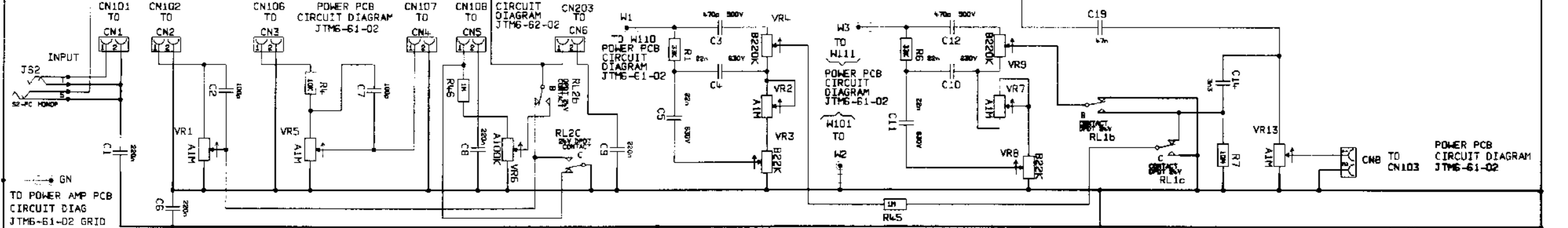
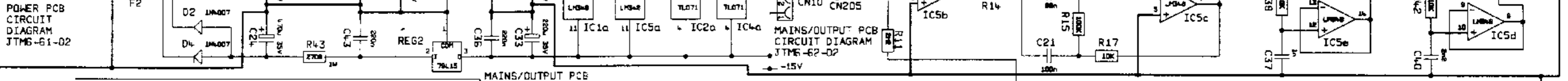
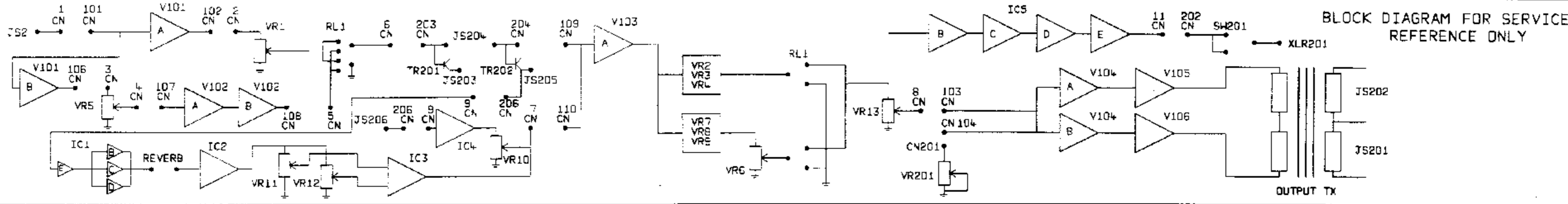


DWG. No. JTM6-60-02

BLOCK DIAGRAM FOR SERVICE REFERENCE ONLY



NOTE:-  
RELAYS MUST BE FUJITSU TYPE 47 ONLY  
R21, C27, C45 & C46 NOT FITTED

4	1215	28-5-96	ALL OTHER HOLES		X = (THROUGH PLATED)																		
3	1114		A	E		T	N																
2	1040	16/11/95	B	F		K	F																
1		04/05/95	C	G		L	D																
ISS	ECO NUMBER	DATE	D	H		M	R																

99

2-7-96

# JTM60

JIM MARSHALL (PRODUCTS) LTD.  
DENBIGH ROAD, BLETCHLEY, MILTON KEYNES, MK1 1QQ.  
TEL (0908) 375411 FAX (0908) 375118

TITLE PRE-AMP PCB CIRCUIT DIAGRAM

DWG. No. JTM6-60-02

ISS 4