

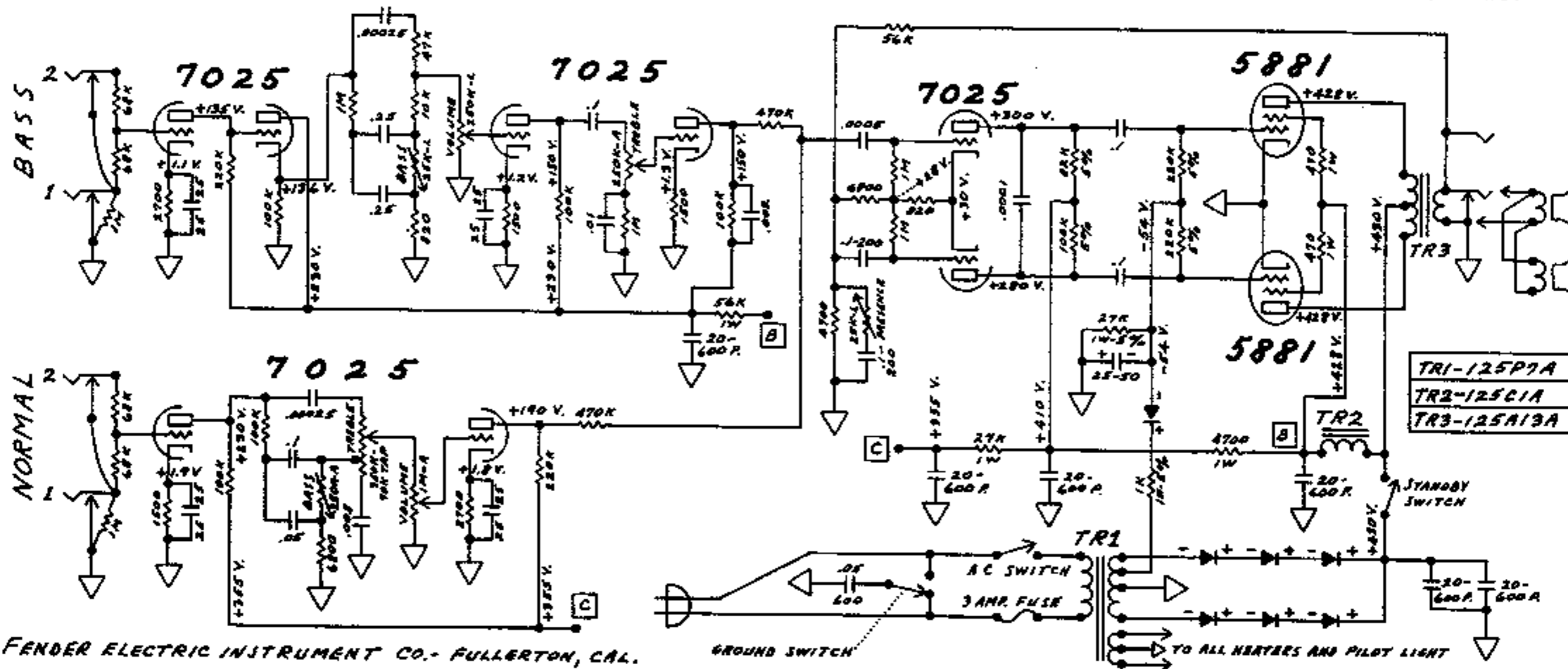
FENDER "BASSMAN" SCHEMATIC

MODEL 6G6-B

P/O
E-FB

NOTE

- 1- VOLTAGES READ TO GROUND WITH ELECTRONIC VOLTMETER. VALUES SHOWN \pm OR - 20%
- 2- ALL RESISTORS $\frac{1}{2}$ WATT, 10% TOLERANCE IF NOT SPECIFIED.
- 3- ALL CAPACITORS AT LEAST 400 VOLT RATING IF NOT SPECIFIED.



FENDER ELECTRIC INSTRUMENT CO. - FULLERTON, CAL.

TR1-125P7A
TR2-125C1A
TR3-125A13A