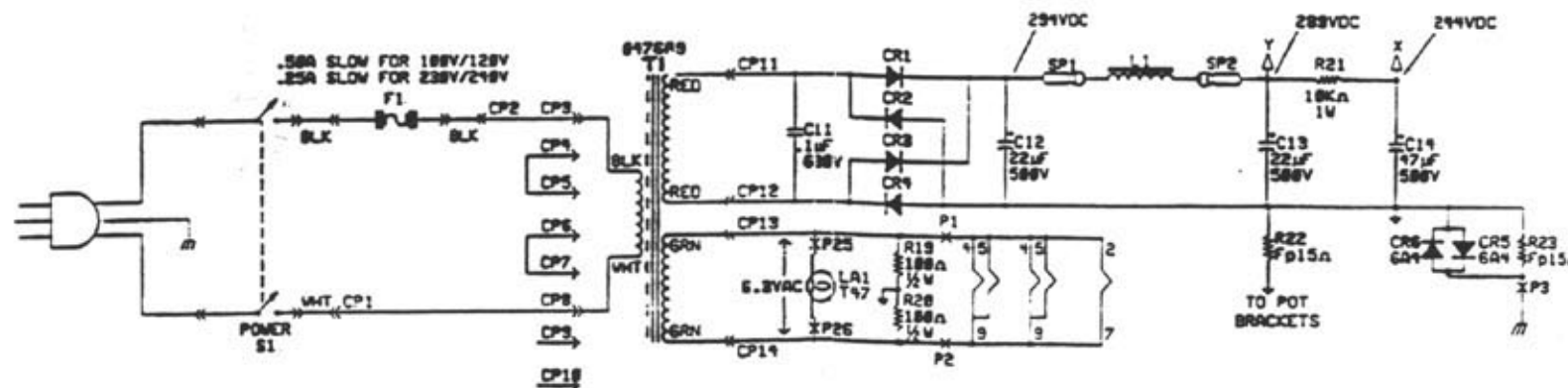


- NOTES: (UNLESS OTHERWISE SPECIFIED)
- 1.) ALL RESISTORS $\frac{1}{2}W$.
 - 2.) ALL DIODES 1N4004 (1N5062).
 - 3.) 6-DIGIT NUMBERS ARE FENDER PART NUMBERS.
 - 4.) ALL VOLTAGES MEASURED WITH RESPECT TO GROUND USING A 0VW OF AT LEAST 1M Ω AC INPUT IMPEDANCE AND 10M Ω DC INPUT IMPEDANCE. TEST CONDITIONS: LINE VOLTAGE 120VAC 60HZ. FOOTSWITCH CONNECTED. REVERB ON. ALL CONTROLS 50% ROT. SUPPLY VOLTAGES MAY VARY +5% -10%. SIGNAL VOLTAGES MAY VARY $\pm 20\%$. INPUT SIGNAL 1KHZ SINE.
 - 5.) LAST INSTANCES: C14, CR4, CP16, J3, L1, LA1, R23, SP2, T2, V3



DATABASE FILE: 22635.DBF CHECKED BY: <i>[Signature]</i> DATE: 6/29/94 APPROVED: <i>[Signature]</i> DATE: 6/29/94 TOLERANCES: UNLESS OTHERWISE SPECIFIED X.X	PROPRIETARY THIS DRAWING CONTAINS INFORMATION WHICH IS PROPRIETARY TO AND IS THE PROPERTY OF THE FENDER MUSICAL INSTRUMENTS CO. AND MAY NOT BE USED, REPRODUCED OR DISCLOSED IN ANY MANNER WITHOUT THE EXPRESS WRITTEN CONSENT FROM: FENDER MUSICAL INSTRUMENTS CO. 1130 COLUMBIA ST. BREA, CA 92621	Fender MUSICAL INSTRUMENTS 1130 Columbia Street Brea, CA 92621 TITLE: '63 FENDER REVERB SCHEMATIC DIAGRAM SIZE: (DRAWN: P. VIERS) (DRAWING NUMBER: 21750) (REV: 0)
--	---	---