

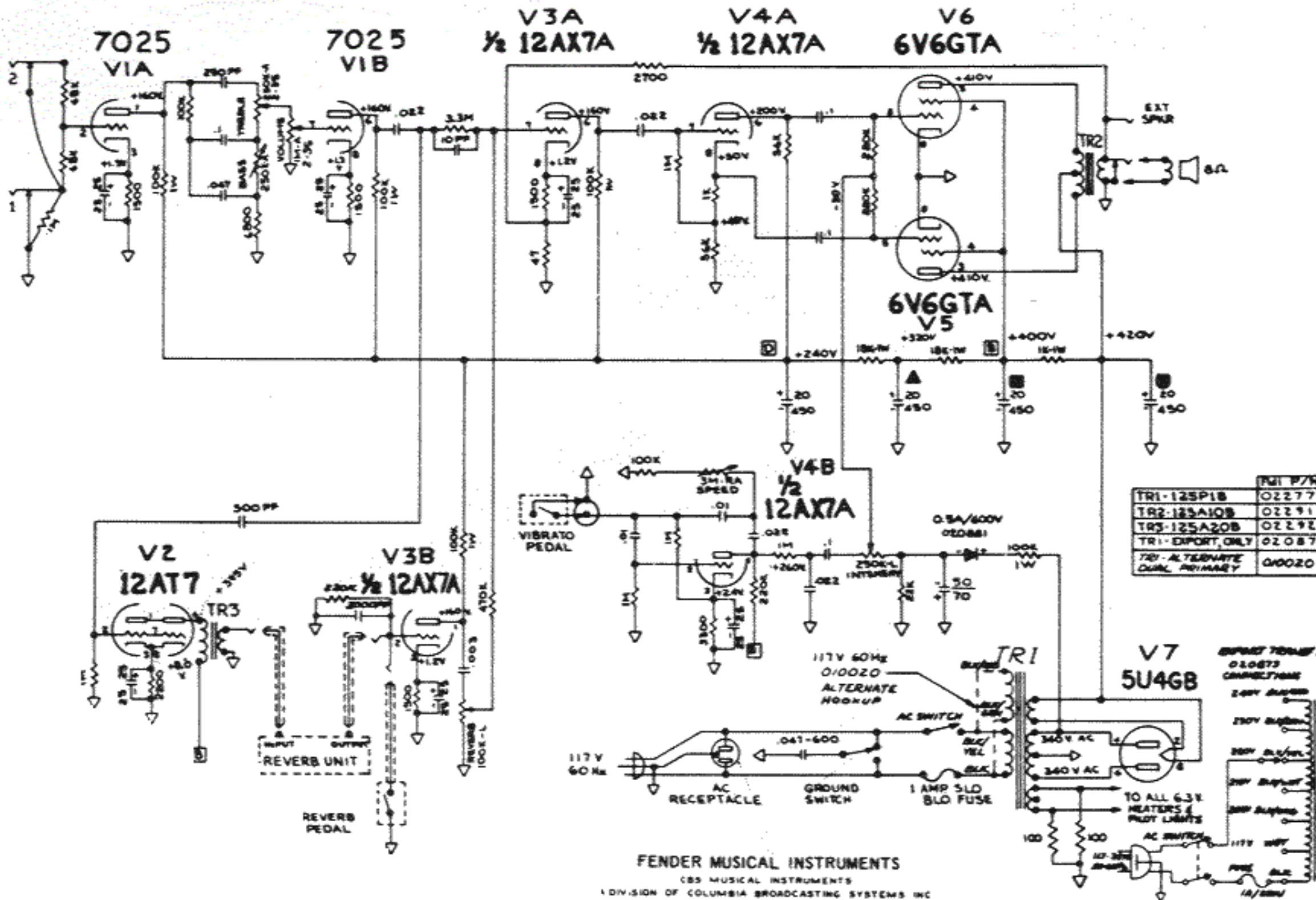
FENDER MODEL "PRINCETON REVERB-AMP B1270" SCHEMATIC NOTICE

THIS PRODUCT MANUFACTURED UNDER ONE OR MORE OF THE FOLLOWING U.S. PATENTS- #2817708, 2973681, 192859 / PATENTS PENDING.

KFD

1. VOLTAGES READ TO GROUND WITH ELECTRONIC VOLTMETER. VALUES SHOWN +OR- 10%.
2. ALL RESISTORS 1/2 WATT 10% TOLERANCE IF NOT SPECIFIED.
3. ALL CAPACITORS AT LEAST 500 VOLT RATING IF NOT SPECIFIED.

INSTRUMENTS



TR1	P/N
TR1-125P18	022772
TR2-125A108	022913
TR3-125A208	022921
TR1-EXPORT ONLY	020873
TR1-ALTERNATE CDRG. PRIMARY	010020

FENDER MUSICAL INSTRUMENTS
 CBS MUSICAL INSTRUMENTS
 A DIVISION OF COLUMBIA BROADCASTING SYSTEMS INC
 FULLERTON, CALIFORNIA
 U.S.A.

CBS MUSICAL INSTRUMENTS FULLERTON, CALIFORNIA			
DRAWING TITLE SCHEMATIC & WIRING DIAGRAM DOMESTIC AND EXPORT PRINCETON REVERB AMP			
REL. NO.	REV.	QTN NO.	QTY.
571	C	045427	E
DATE	APPROVED BY	DESIGNED BY	1 of 2