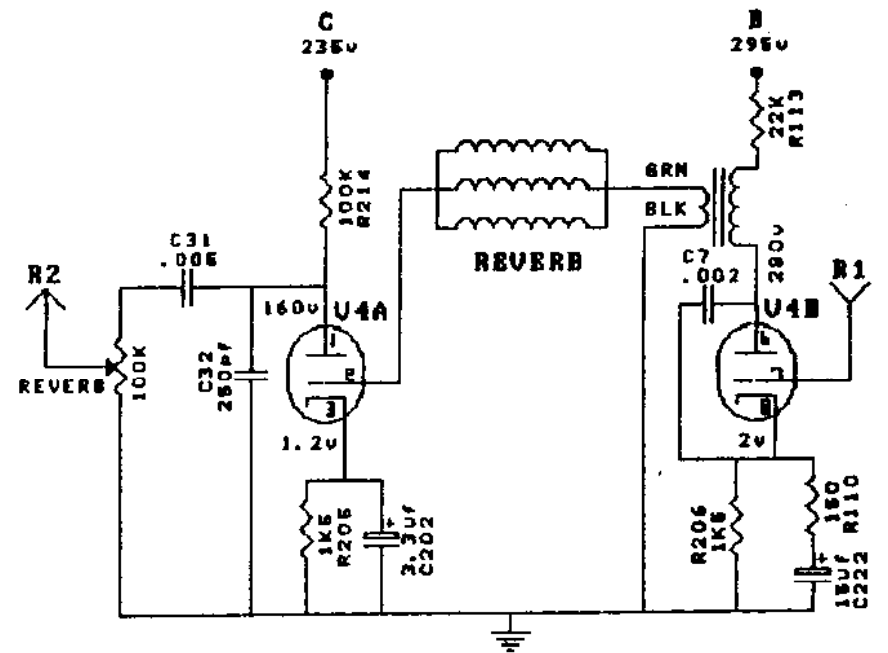
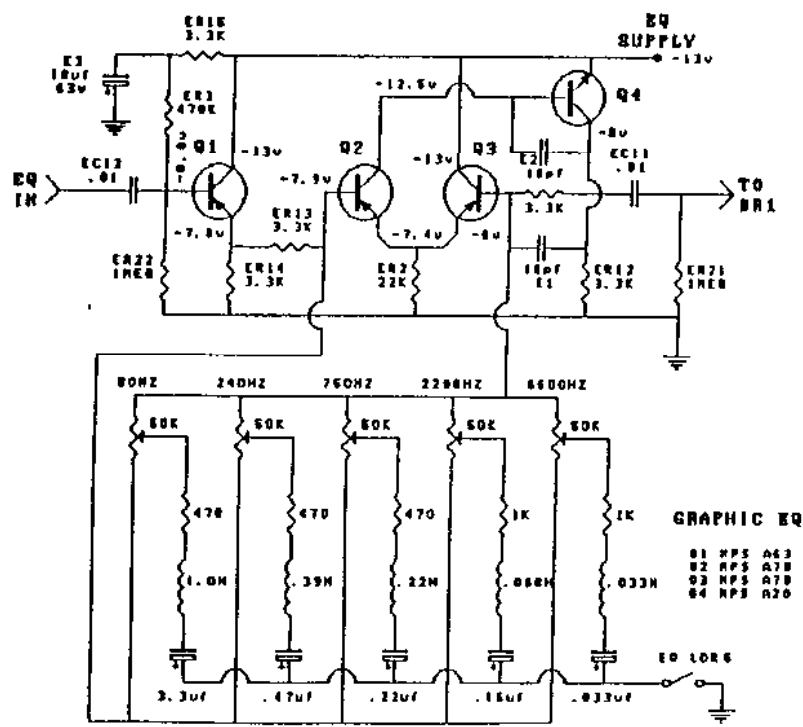
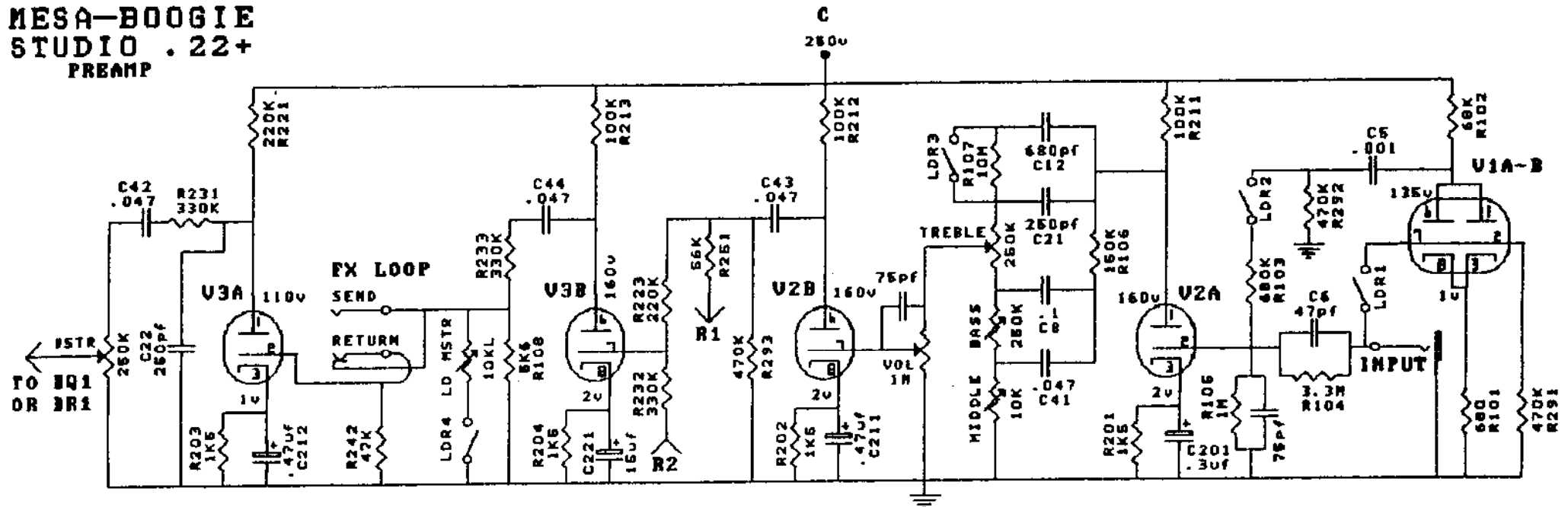
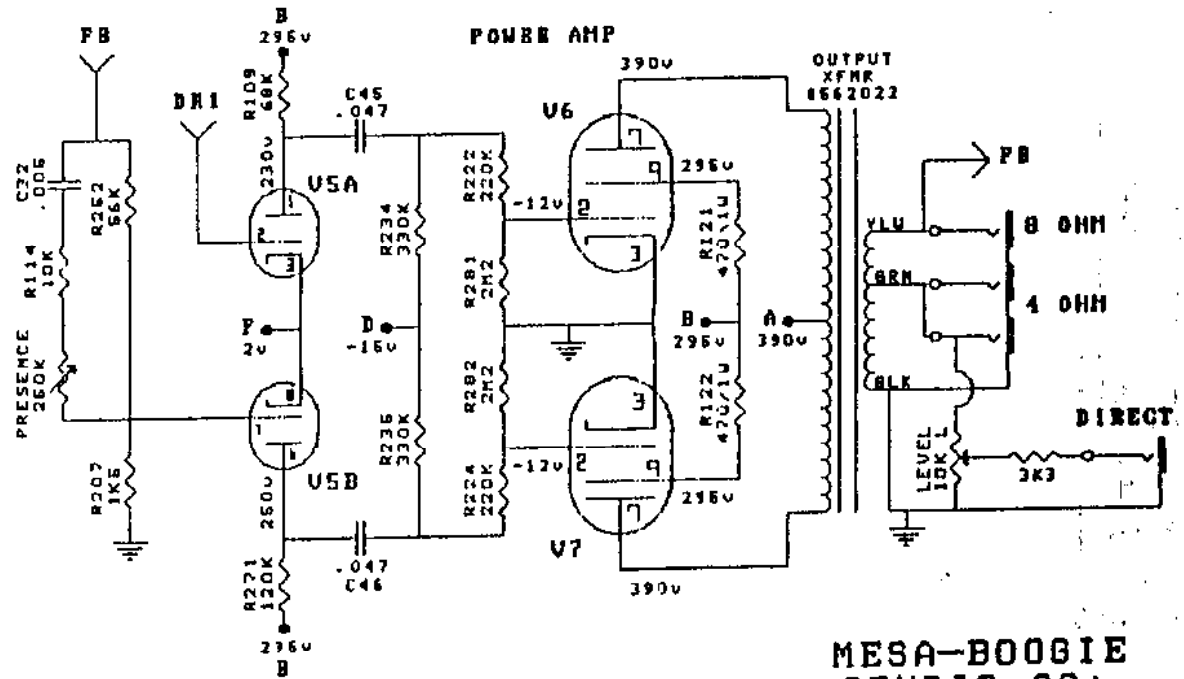
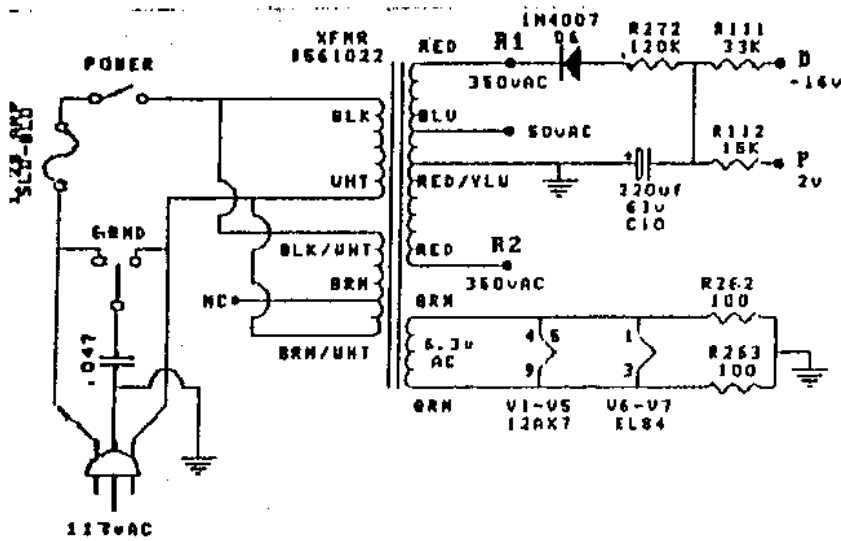
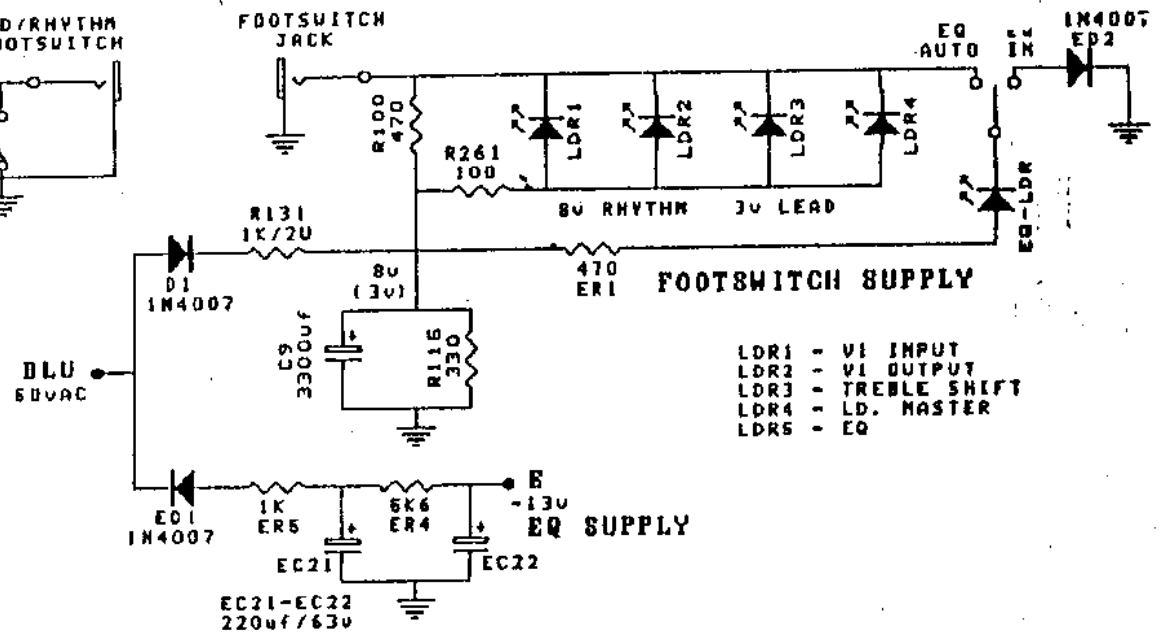
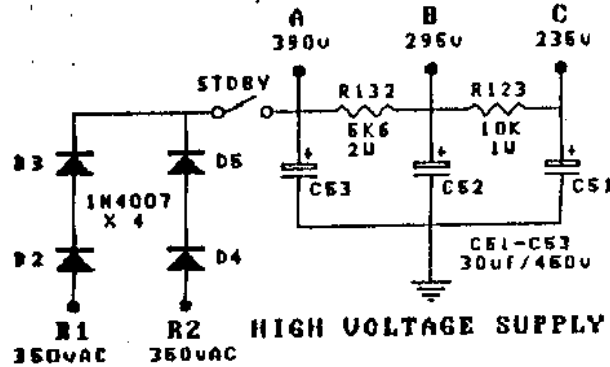
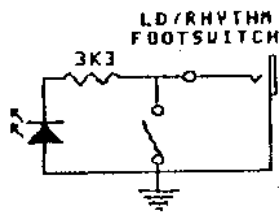


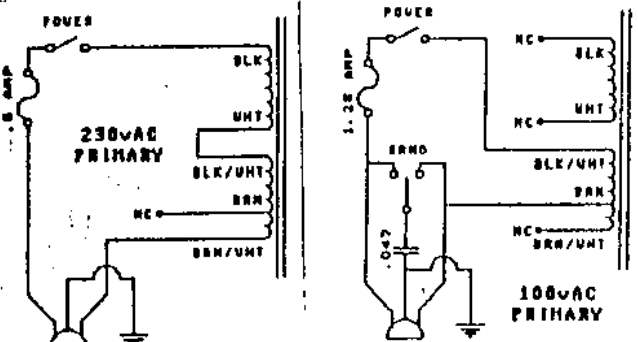
MESA-BOOGIE STUDIO .22+ PREAMP



MESA-BOOGIE STUDIO 22+ POWER SUPPLIES

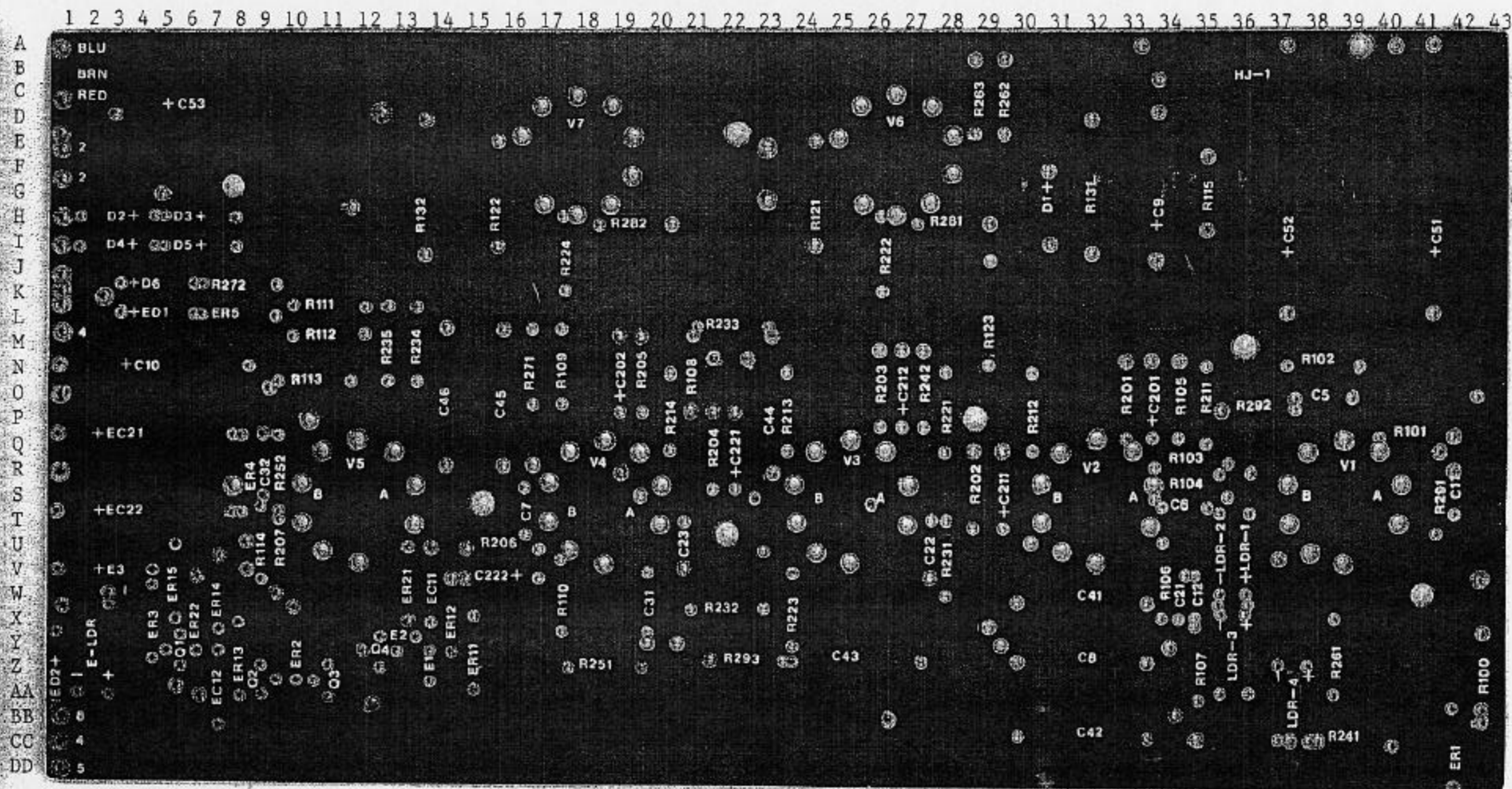


MESA-BOOGIE STUDIO 22+ POWER AMP



FTSW SUPPLY UPDATE

1. Change 680/2W, R131, at G-32 to 1K/2W.
2. Change 470uf/16v cap at F-34, C9, to 3300uf/16v (glue on top of board).
3. Check R115 at F-35, 330 ohms.
4. Voltage at C9 should be 8-10v DC, Rhythm mode, 3v DC Lead



CIRCUIT BOARD BOTTOM VIEW
(DR00 OLD PARTS NOT MOUNTED)