

COLISEUM 300 POWER AMP

PARTS LIST

	<u>DESCRIPTION</u>	<u>SUNN PART NO.</u>
DIODES		
	IN458	22-0458
	IN4004	22-2070
	IN4744 15V Zener	22-0150
TRANSISTORS		
Q1	TIP29B	22-0029
Q11	TIP30B	22-0030
Q2, Q3	2N5089	22-5089
Q4, Q14	MPSA43	22-5184
Q5, Q12	2N4888	22-4888
Q6	BC107	22-0107
Q15	2N4250	22-4250
Q7	MJE15028	22-5028
Q16	MJE15029	22-5029
Q8, Q9, Q10	MJ15022	22-5022
Q17	MJ15016	22-5016
Q18, Q19	2SB600	22-5023
IC	4558	22-4558
POWER TRANSFORMER		28-8200
FILTER CAPACITOR	4700mfd 63V	10-3095
POWER CORD		68-6500
CORD WRAP		48-0000
FAN		27-0003

COLISEUM 300 POWER AMP

TEST POINTS

TEST CONDITIONS: 120VAC; 2 ohm load, place 1.23V RMS at 1KHZ into power amp input.

+V = +50VDC, -V = -50VDC, +Vr = +15VDC, -Vr = -15VDC

TEST POINTS

TP4	.22VP-P, -.02VDC
TP5	30mVP-P, -7.7VDC
TP6	14mVP-P, -.03VDC
TP7	-12VDC
TP8	120mVP-P, +7.9VDC
TP9	80mVP-P, +10VDC
TP10	80mVP-P, +5.4VDC
TP11	76VP-P, -.1VDC
TP12	76VP-P, +1.3VDC
TP13	76VP-P, -1.5VDC
TP14	76VP-P, +.87VDC
TP15	76VP-P, -1VDC
TP16	69VP-P, +.2VDC
TP17	69VP-P, -.3VDC
TP18	69VP-P, -.07VDC
TP19	69VP-P, -.07VDC
TP20	14mVP-P, +.09VDC

BIAS SETTINGS: Unit should be at room temperature. No input signal no load, adjust R42 for a DC voltage reading of .5 -.7 mVDC across R18.

COLISEUM 300 PREAMP

TEST POINTS

TEST CONDITIONS: -120VAC, 2 ohm load, input signal .59V RMS @ 1KHZ,
into normal input gain control at 5 tone control
at 0 contour switch out, compression switch in,
compression control min, biamp control at 1 KHZ.

TP1	1.6VP-P	
TP2	.6VP-P	Compression control at min.
TP2	.3VP-P	Compression control at max
TP3	.6VP-P	
TP4	3VP-P	
TP5	3VP-P	
TP6	2.5VP-P	
TP7	2.5VP-P	
TP8	3.5VP-P	
TP9	1.2VP-P	
TP10	1.2mVP-P	
TP11	3.5VP-P	
TP12	8.2VP-P	
TP13	7VP-P	

COLISEUM 300 PREAMP
Parts list

	DESCRIPTION	SUNN PART NO.	
DIODES	Red LED	22-o228-1	
	Green LED	22-0229-1	
	1N458A	22-0458	
	1N5239 9V Zener	22-5239	
INTERGRATED CIRCUITS	SSM 2012 or SSM 2013	22-2012	
	IC 5	TLO 72	22-4002
	IC 401,6,15	MC14069	22-4069
	IC 16	4558	22-4558
	All other IC's		
CONTROLS	25K Linear	23-1111	
	Gain, Compression, Master	Dual 1 Meg. or	23-1373
	Biamp	Dual 100K	23-1380
	Equalization	30K "S" Curve	23-6505
SWITCHES	2 PDT	24-0130	
	Contour, Compression Power	125 VAC 15 A	24-0134
KNOBS		59-6161	
	Equalization, Biamp	59-6162	
	Gain, Compression, Master	59-5532	
	Push Button		
JACKS	PC-MT 1/4" Stereo Uninsul. or	67-1001	
	PC-MT 1/4" Stereo Insul	67-1000	
	RT ANG. MT 1/4"	67-3630	
All other jacks			

COLISEUM 500 PREAMP

PARTS LIST

	<u>DESCRIPTION</u>	<u>SUNN PART NO.</u>
DIODES:	IN458	22-0458
	Red LED	22-0228
	Green LED	22-0229
TRANSISTOR	BC107	22-0107
INTEGRATED CIRCUITS:	NE571	22-0570
	TL072	22-4002
	4558	22-4558
	74C04-4069	22-7404
CONTROLS:		
MASTER, GAIN, COMPRESSION:	25K linear	23-1111
BIAMP	Dual 100K linear	23-1373
EQUALIZATION	50K S Curve	23-6505
SWITCHES:		
CONTOUR, COMPRESSION		24-0130
POWER		24-0134
KNOBS:		
EQUALIZATION, BIAMP		59-6061
GAIN, COMPRESSION, MASTER		59-6062
PUSH BUTTON		59-5532
JACKS:		
WRITE, NORMAL	PC 1" stereo uninsul. with shnt	67-1001
ALL OTHER JACKS	PC 1" right angle mount	67-3630

COLISEUM 300 PREAMP BOARD TEST POINTS - REV. B
Starting serial # K30615

TEST CONDITIONS: Line voltage 120 VAC, Input signal 670 MVRMS, @ 500 hz, Speaker load
2 ohms

CONTROL SETTINGS:

Gain -5

Contour switch- out

Compression - MAX

Compression switch - as indicated on test points

Equalization - 0

Crossover - 300

Master level - 10

TP1, 2.4 VP-P

TP2, 3.4 VP-P

TP3, 6.5 VP-P Comp. off; 1.2 VP-P Comp. on

TP4 2.75 VP-P Comp. off; 1 VP-P Comp. on

TP5 3.5 VP-P Comp. off; 1.3 VP-P Comp. on

TP6 +.45 VDC Comp. off, +.17 VDC

TP7 +.45VDC Comp. off; +.17 VDC

TP8 -1.06 VDC Comp. off ; -.375 VDC Comp. on

TP9 0VDC Comp off; +.19 VDC Comp. on

TP10 3.2 VP-P

TP11 3.2 VP-P

TP12 3.2 VP-P

TP13 1.5VP-P

TP 14 1.3 VP-P

TP15 3.3 VP-P

TP16 1.8 VP-P

TP17 5.2 VP-P

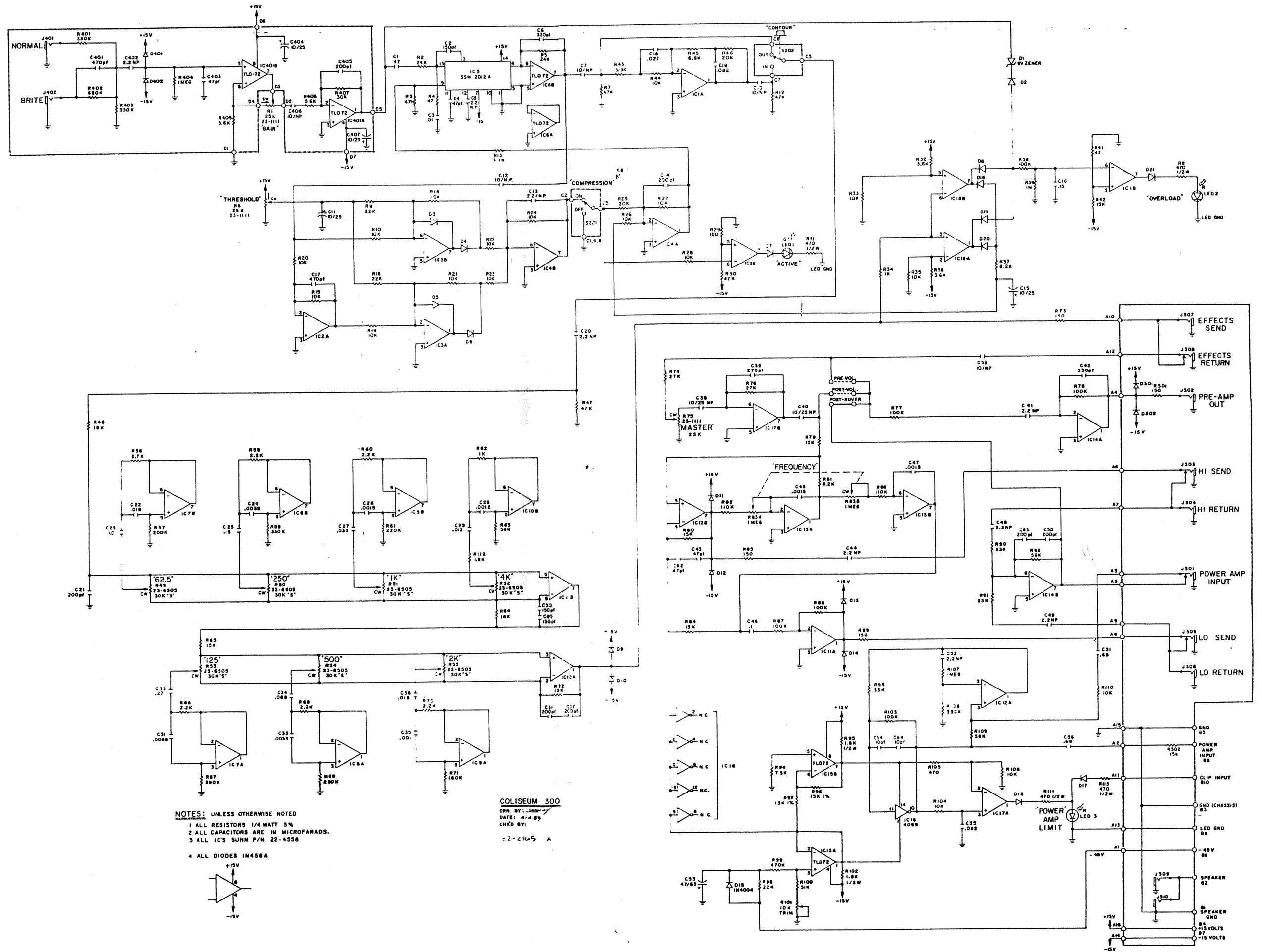
TP18 5.2 VP-P

TP19 9 VP-P

TP20 9 VP-P

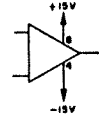
TP21 +5.5 VDC

TP22 -5.5 VDC



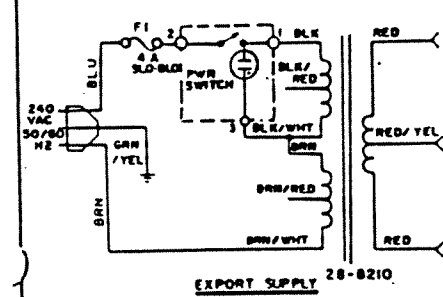
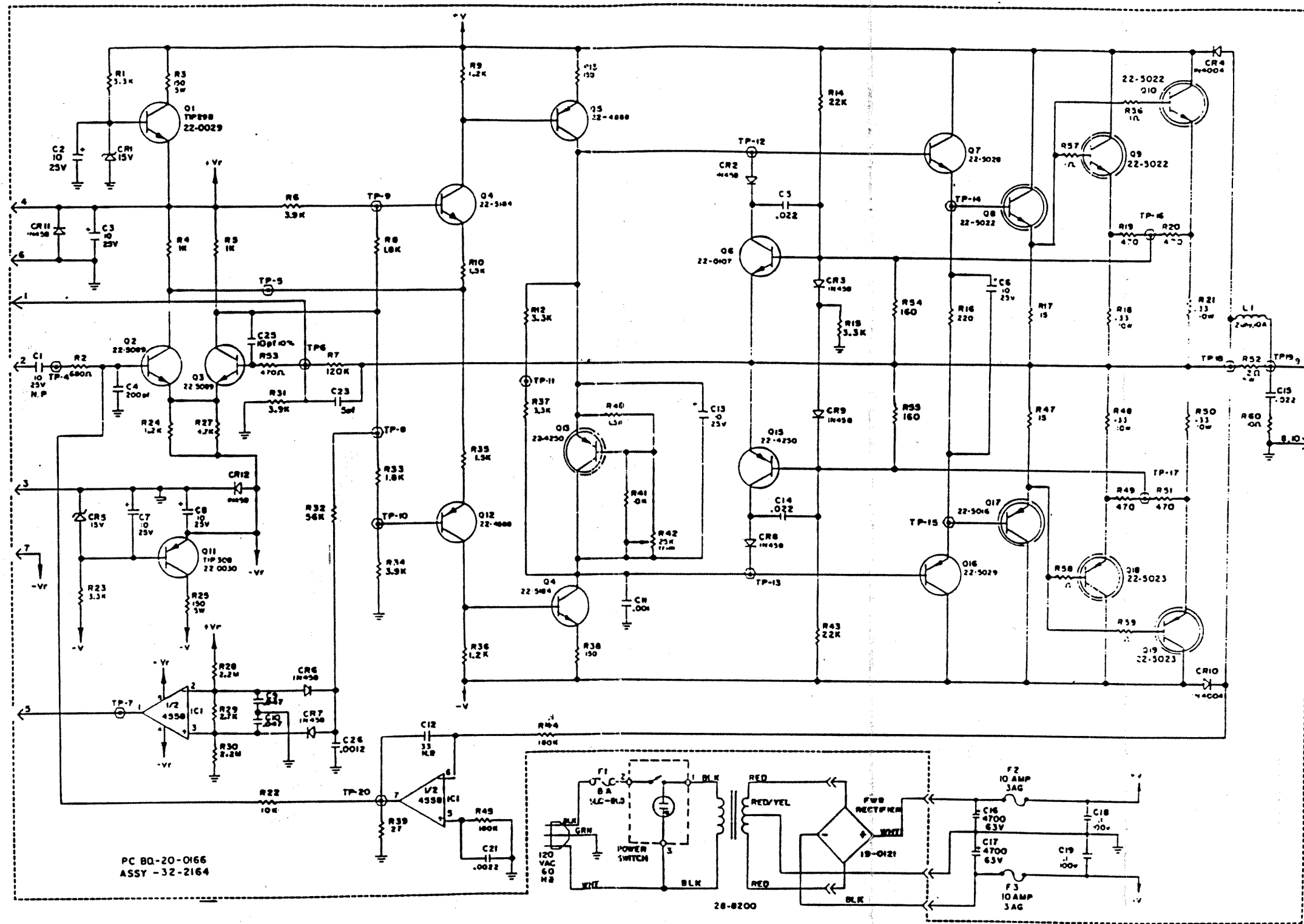
NOTES: UNLESS OTHERWISE NOTED
 1 ALL RESISTORS 1/4 WATT 5%
 2 ALL CAPACITORS ARE IN MICROFARADS.
 3 ALL IC'S SUNN P/N 22-4558
 4 ALL DIODES IN458A

COLISEUM 300
 DRN. BY: [Signature]
 DATE: 4-4-89
 CHKD BY:
 22-2165 A

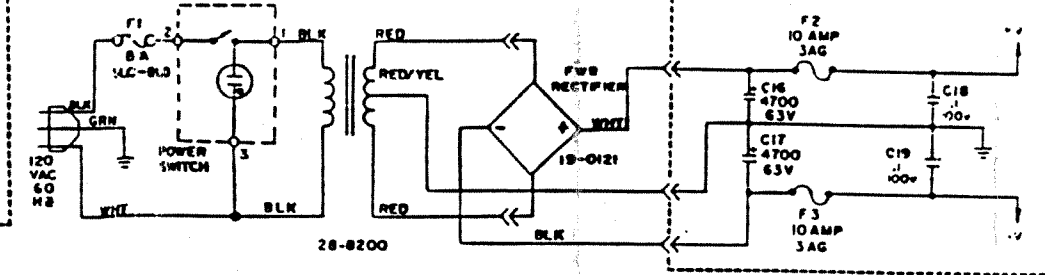


COLISEUM 300 POWER AMP SCHEMATIC

REVISIONS			
NO.	DESCRIPTION	DATE	APPROVED



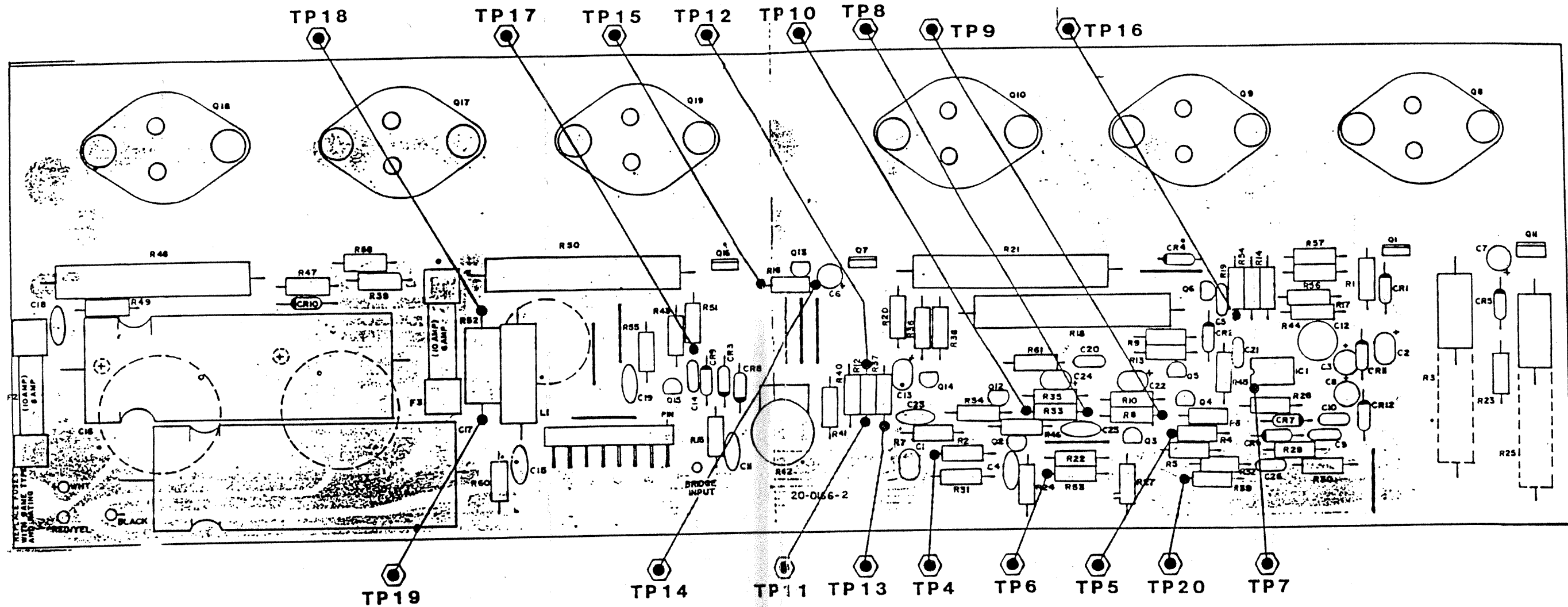
PC BQ-20-0166
ASSY -32-2164



UNLESS OTHERWISE NOTED:
1) ALL RESISTORS 1/2 W, 5%, VALUE IN OHMS
2) ALL CAPACITORS NON-POLAR, VALUE IN MICROFARADS

COLISEUM 300			
SUNN MUSICAL EQUIP. CO.			
SCHEMATIC, POWER AMPLIFIER 200W			
APPROVED	DATE	SCALE	DRAWING NO.
	3-7-67	FULL	D-1142
DO NOT SCALE DRAWING			

COLISEUM 300 POWER BOARD LAYOUT



COLISEUM 300 POWER AMP

TEST POINTS

TEST CONDITIONS: 120VAC; 2 ohm load, place 1.23V RMS at 1KHZ into power amp input.

+V = +50VDC, -V = -50VDC, +Vr = +15VDC, -Vr = -15VDC

TEST POINTS

TP4	.22VP-P, -.02VDC
TP5	30mVP-P, -7.7VDC
TP6	14mVP-P, -.03VDC
TP7	-12VDC
TP8	120mVP-P, +7.9VDC
TP9	80mVP-P, +10VDC
TP10	80mVP-P, +5.4VDC

TP11	76VP-P, -.1VDC
TP12	76VP-P, 1.3VDC
TP13	76VP-P, -1.5VDC
TP14	76VP-P, +.87VDC
TP15	76VP-P, -1VDC
TP16	69VP-P, +.2VDC
TP17	69VP-P, -.3VDC
TP18	69VP-P, -.07VDC
TP19	69VP-P, -.07VDC
TP20	14mVP-P, +.09VDC

BIAS SETTINGS: Unit should be at room temperature. No input signal no load, adjust R42 for a DC voltage reading of .5 -.7 mVDC across R18.

