

MusicParts.Com

Technical Document Distribution

Brand:	Guild
Model	Thunderstar Bass
Product:	Guitar Amplifier
Description:	Schematic

Musicparts Document Number: 44126	TechTips: No	Pages: 2	Dated: 1971
-----------------------------------	--------------	----------	-------------

Hello,

Welcome to MusicParts.Com, Inc. your online resource for technical documents and service information. This PDF package may contain information, schematics, parts lists, images, engineering changes, previous versions, circuit descriptions, and many other unique features about the product you have chosen. This document was assembled from a variety of sources and is the result of our many years in the music repair business.

TECHTIPS: Unique to Musicparts documents are **TECHTIPS** located in critical areas on the schematics. They contain useful information about that area of the schematic such as common problems that we have found and recommended changes. Not all documents will have TechTips.

NOTE: Large original over-sized drawings will need to be taped together. We feel this is better than reducing them and losing fine details.

VIEWING: This document is utilizing PAGE-ON-DEMAND downloading. This will let you navigate to any page without waiting for the entire file to download.

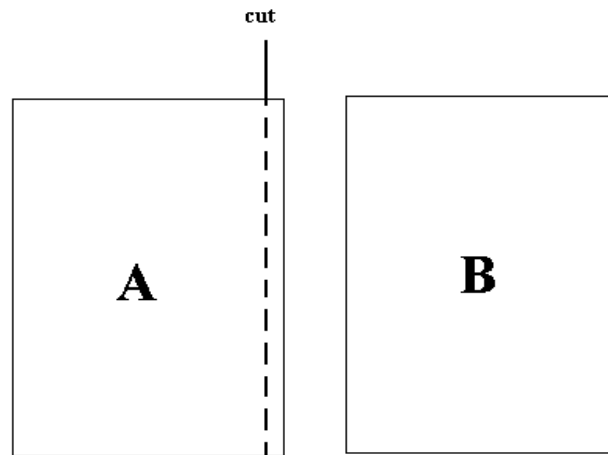
PRINTING: For the best quality, we highly recommend that when the print dialog appears, please **make sure "SHRINK OVERSIZED PAGES " is checked.**, otherwise you may cut off the edge of the page. Also please stay online while printing this document to make sure you get all the pages.

Visit us on the web at: <http://www.musicparts.com/>
Email us at: customerservice@musicparts.com

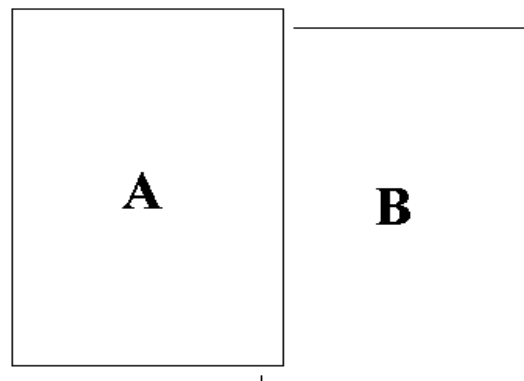
MusicParts.Com

Two Sheet Pasteup Guide

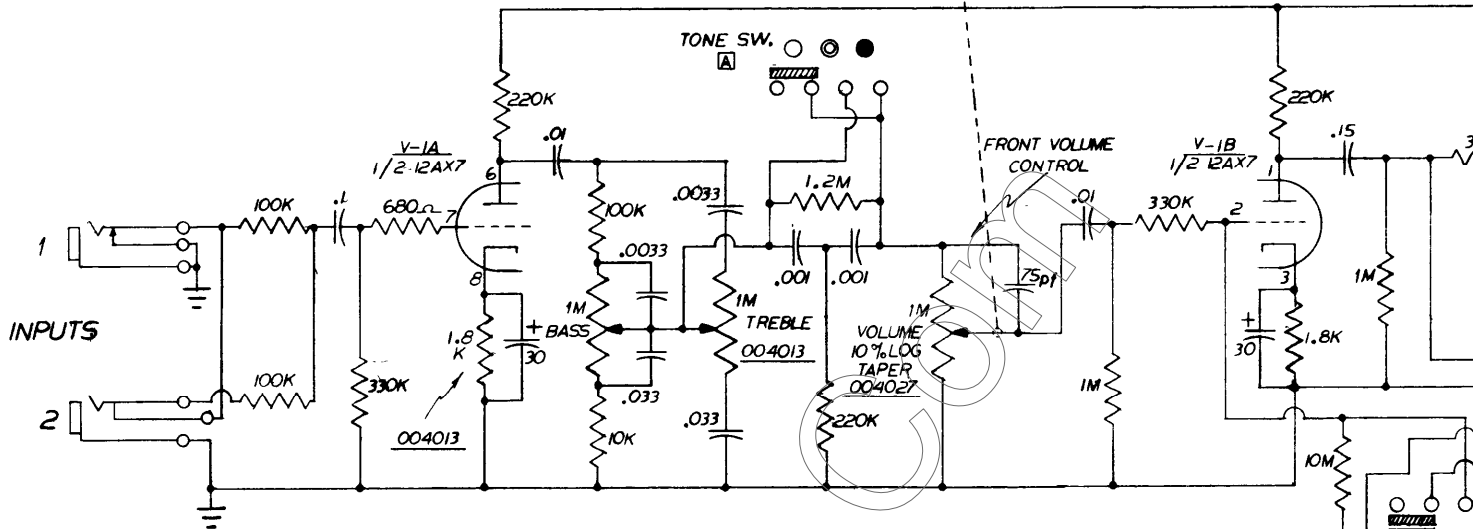
11x17" paper size



It's ok to slightly cut into the black print, as documents contain an intentional extended overlapping printed area.

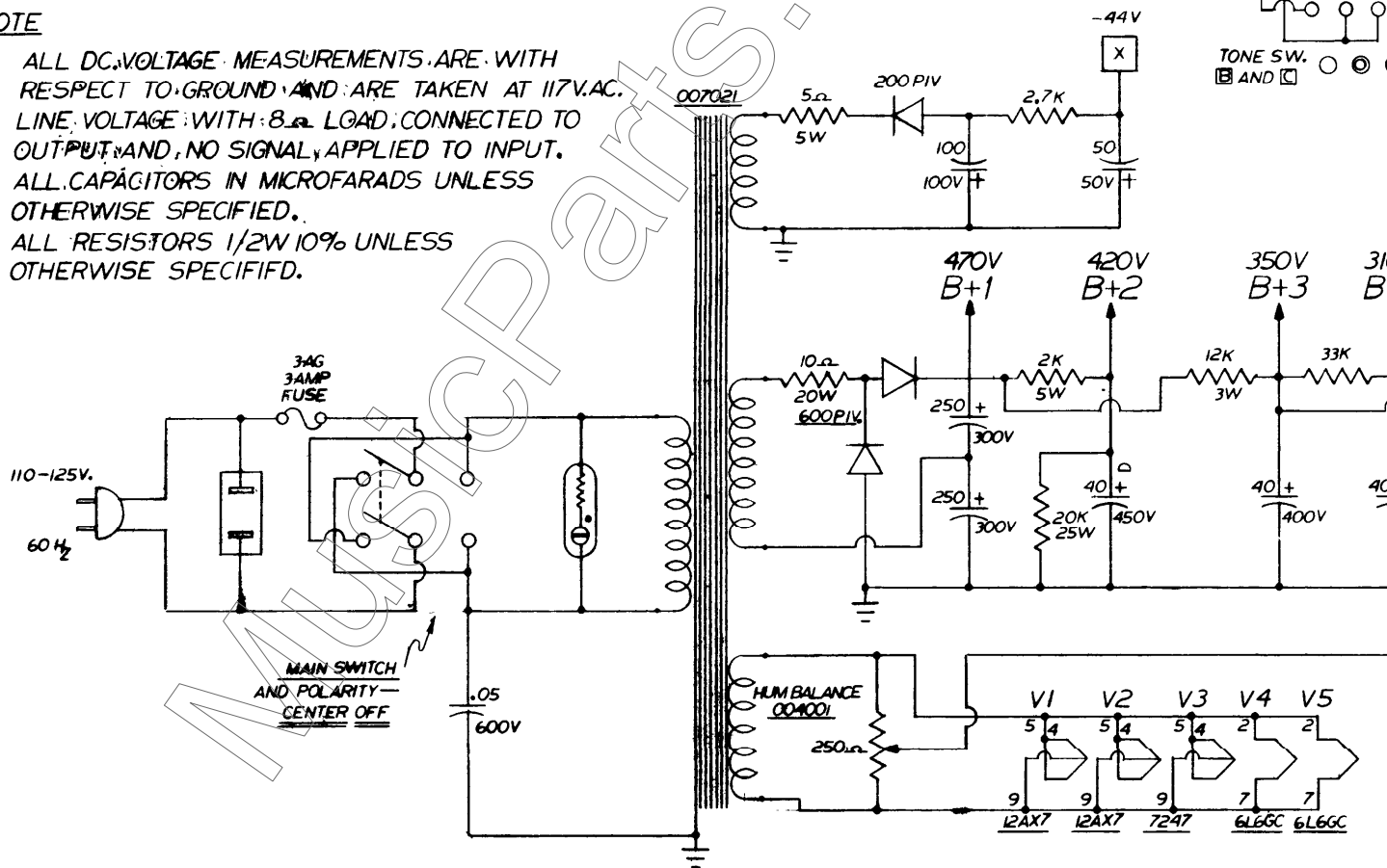


Only one trim cut is needed, then overlay as shown and tape.

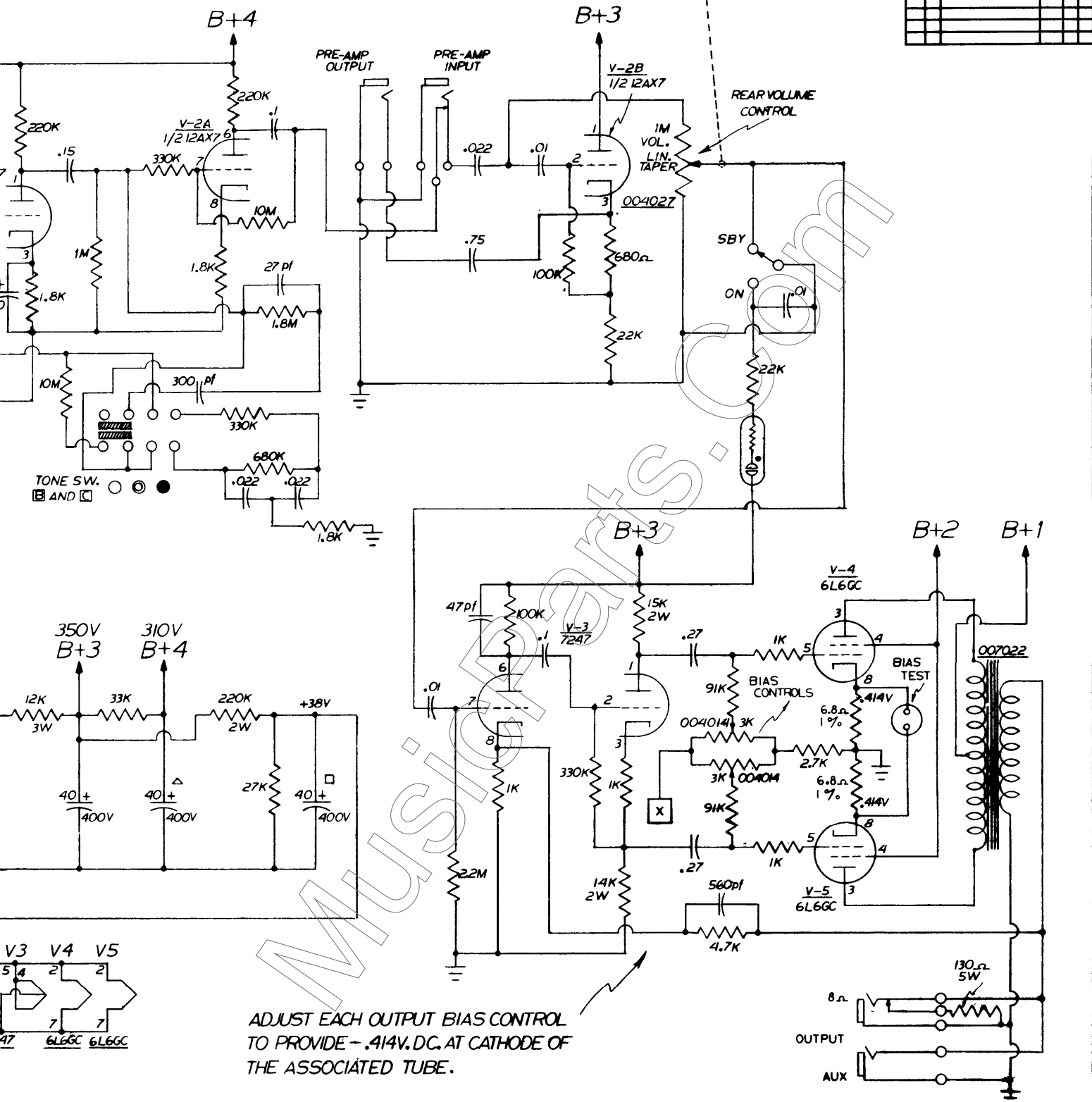


NOTE

ALL DC VOLTAGE MEASUREMENTS ARE WITH RESPECT TO GROUND AND ARE TAKEN AT 117V AC. LINE VOLTAGE WITH 8Ω LOAD CONNECTED TO OUTPUT AND NO SIGNAL APPLIED TO INPUT. ALL CAPACITORS IN MICROFARADS UNLESS OTHERWISE SPECIFIED. ALL RESISTORS 1/2W 10% UNLESS OTHERWISE SPECIFIED.



REV.	REVISION	DATE	BY



ADJUST EACH OUTPUT BIAS CONTROL TO PROVIDE - .414V. DC. AT CATHODE OF THE ASSOCIATED TUBE.

TOLERANCES UNLESS OTHERWISE SPECIFIED		GUILD	
RESISTORS	1%	DATE	1-11-71
CAPACITORS	5%	REVISION	
THUNDERSTAR BASS		DATE	1-11-71
		REVISION	