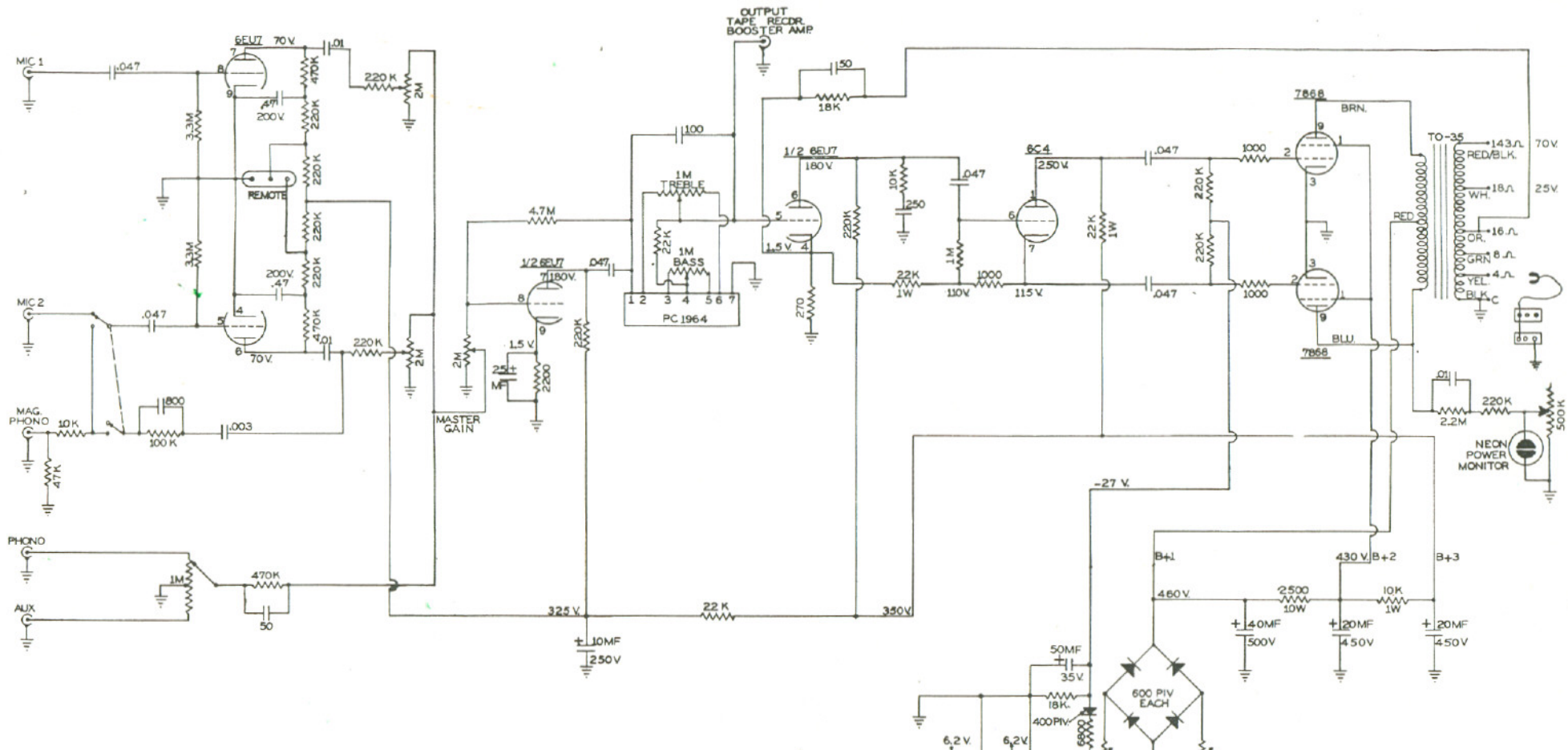


GHOMMES, PRECISION
MODEL 5-3A
ENG. A.A.HART
DRN. K.L.RYDEN 10-22-64
PRECISION ELECTRONICS INC.
FRANKLIN PARK, ILL.

NOTE: UNLESS OTHERWISE SPECIFIED ALL RESISTORS ARE 1/2 WATT WITH VALUES IN OHMS. ALL CAPACITORS ARE 4-50VOLT WITH WHOLE NUMBER VALUES IN MFD. AND DECIMAL VALUES IN MFD. ALL VOLTAGES TAKEN WITH 120 VOLT LINE.



NOTE:
 UNLESS OTHERWISE SPECIFIED ALL RESISTORS ARE
 1/2 WATT WITH VALUES IN OHMS. ALL CAPACITORS ARE
 400VOLT WITH WHOLE NUMBER VALUES IN MMFD. AND
 DECIMAL VALUES IN MFD.
 ALL VOLTAGES TAKEN WITH 120 VOLT LINE.

GROMMES PRECISION	
MODEL S-35	
ENG. A.A. HART	10-22-64
DRN. J. K.R. RYDEN	
PRECISION ELECTRONICS INC.	
FRANKLIN PARK ILL.	

