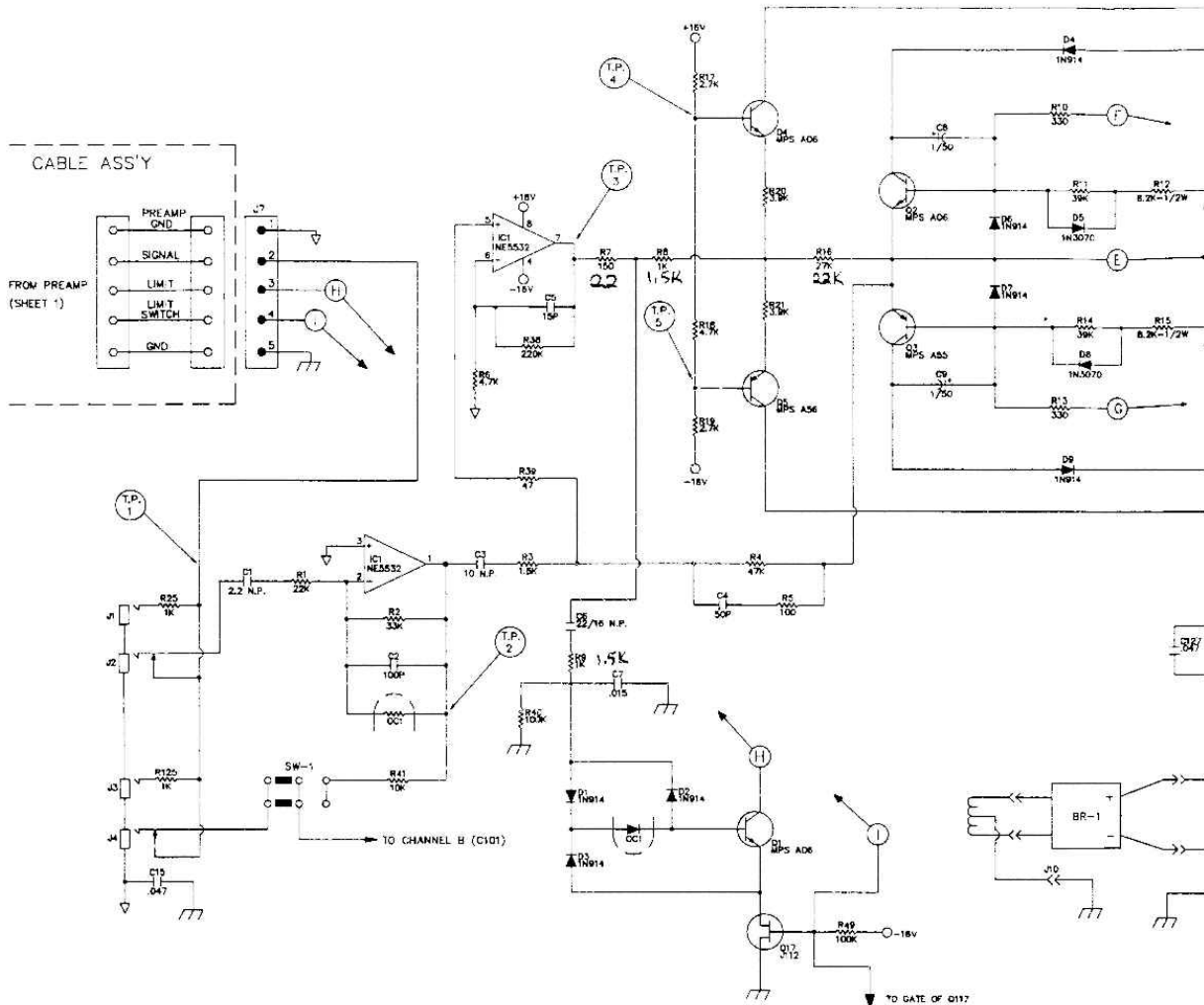


16-411-01

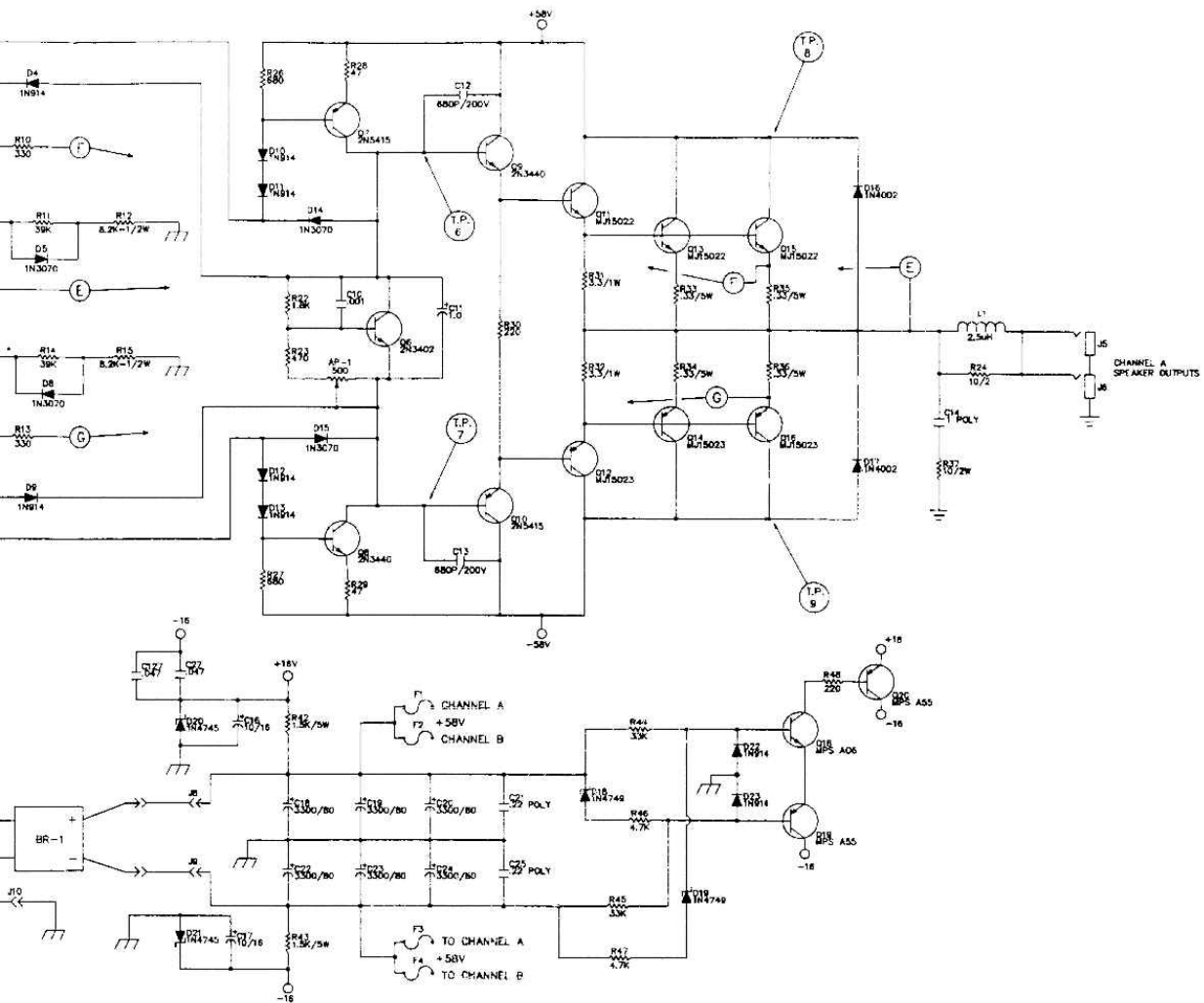
TOLERANCES		REVISIONS		SVT-400T PRE AMP (GEN)	
VAL	UNIT	NO.	DATE	BY	
DECIMAL		1	10-20-68	SPK	SUN ELECTRONICS
FRAGMENTS		1			ACC. PERGASON ST. LEWIS MO. 64884
ANGULAR		1			DRAWN BY: JEAN LEWIS
		1			MATERIAL: NONE
		1			DATE: 10-20-68
		1			DRAWING NO: 16-411-01



PARTIAL PARTS LIST

PART	DESCRIP.	PART NO.	PART	DESCRIP.	PART NO.
Q1, 101	MPSAD6	96-006-01	J1-4	1/4" CLIFF	39-116-01
Q2, 102	MPSAD6	96-006-01	J5, 105	1/4" CLIFF	39-116-01
Q3, 103	MPSA55	96-055-01	J6, 106	1/4" CLIFF	39-116-01
Q4, 104	MPSAD6	96-006-01	J7	(5) PIN HDR	17-310-05
Q5, 105	MPSA56	96-056-01	J8-10	.250 FASTON	17-836-01
Q6, 106	2N3402	96-342-01	J11, 12	1/4" CLIFF	39-116-01
Q7, 107	2N5415	96-515-01	J13	MALE XLR	39-308-01
Q8, 108	2N3440	96-340-01	J14-16	1/4" CLIFF	39-116-01
Q9, 109	2N3440	96-340-01	J17	(8) PIN HDR	17-310-08
Q10, 110	2N5415	96-515-01	IC1, 101	NE5532	37-532-01
Q11, 111	MJ15022	96-122-01	AP-1, 101	500 TRIM PNT	71-501-C2
Q12, 112	MJ15023	96-123-01	L1, 101	2.5UH COIL	94-142-01
Q13, 113	MJ15022	96-122-01	OC-1, 101	DPTO CPLR 507	66-100-01
Q14, 114	MJ15023	96-123-01	SW-1	DP DT SWITCH	88-301-01
Q15, 115	MJ15022	96-122-01	JW1-21	JUMPER	76-002-02
Q16, 116	MJ15023	96-123-01	BR-1	BRIDGE RECT.	21-204-01
Q17, 117	J12	96-112-01			
Q18	MPSAD6	96-006-01			
Q19, 20	MPSA55	96-055-01			
			3" 18G RED SLUG/RING		88-250-01
			3" 18G BLK SLUG/RING		97-155-72
			1.0A FUSE		97-155-76
					23-310-01

TEST POINT'S	W(AC)	RMS	V(DC)
1	.883V		0
2	1.3V		10mv ± 5mv
3	1.7V		200mv ± 50mv
4	0		8V ± .5V
5	0		8V ± .5V
6	40V		1.45V ± 20mv
7	40V		1.45V ± 20mv
8	.2VP-P RIPPLE		58V ± 2V
9	.2VP-P RIPPLE		-58V ± 2V




MS	V(DC)
	0
	10mv ± 5mv
	200mv ± 50mv
	8v ± .5v
	8v ± .5v
	1.45v ± 20mv
	1.45v ± 20mv
PPL	58v ± 2v
PPL	-58v ± 2v

NOTES:

- 1) THIS UNIT CONTAINS HAZARDOUS VOLTAGE. DISCONNECT POWER SUPPLY AND BE SURE POWER SUPPLY IS DISCHARGED BEFORE TOUCHING INTERNAL PARTS.
- 2) UNLESS NOTED, RESISTOR VALUES IN OHMS, 1/4W-5% TOL. CAPACITOR VALUES IN MICROFARADS, 50V-10% TOL.
- 3) VOLTAGES MEASURED WITH 1 MEGOHM OSCILLOSCOPE AND 10 MEGOHM DIGITAL VOLTMETER.
- 4) ADJUST BIAS FOR 300mv ACROSS R31,131 OR R32,132
- 5) CHANNEL "B" IS DENTICAL TO CHANNEL "A" EXCEPT THE DESIGNATORS START AT 101. R41 AND R49 DO NOT REPEAT.

ORIG.	DAN-6/15/88	TEK	TEK
VERS.	DRAWN BY	CHECKED BY	APPROVED BY
PAGE #	DRAWING # 16-411-01		
DESCRIPTION: SV7-400T PWR-AMP (SHEM.)			


SLM ELECTRONICS
 11880 BORMAN DR.
 ST. LOUIS, MO 63146