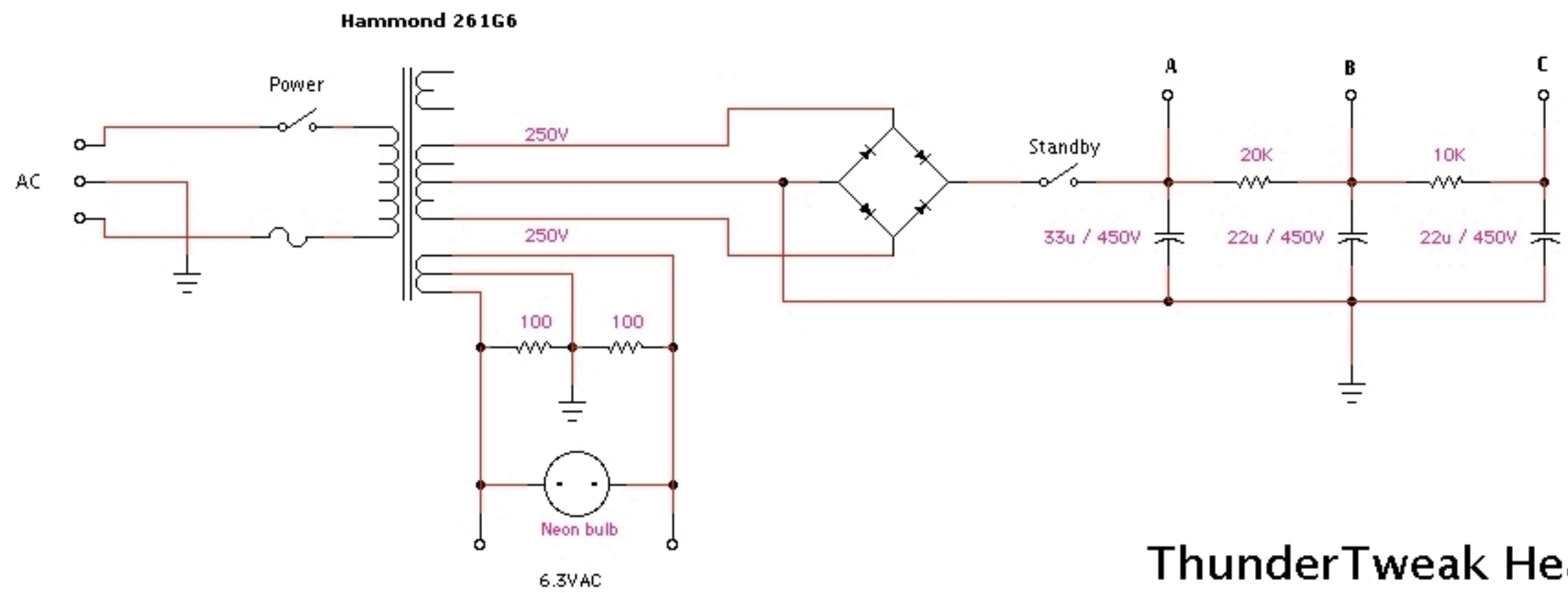


- Fender reverb transformer
- 25K Ohms @ 4 Ohms load / 3.5 watts
- #125A20B & #022921 Models
- 1-3/4" (44mm) mounting centers



ThunderTweak HeavyWater V1.0

Absolutely no claims or warranties of any kind are expressed or implied as to the accuracy or suitability of this diagram for any purpose whatsoever. The user of this information accepts all responsibility for consequences of its use!