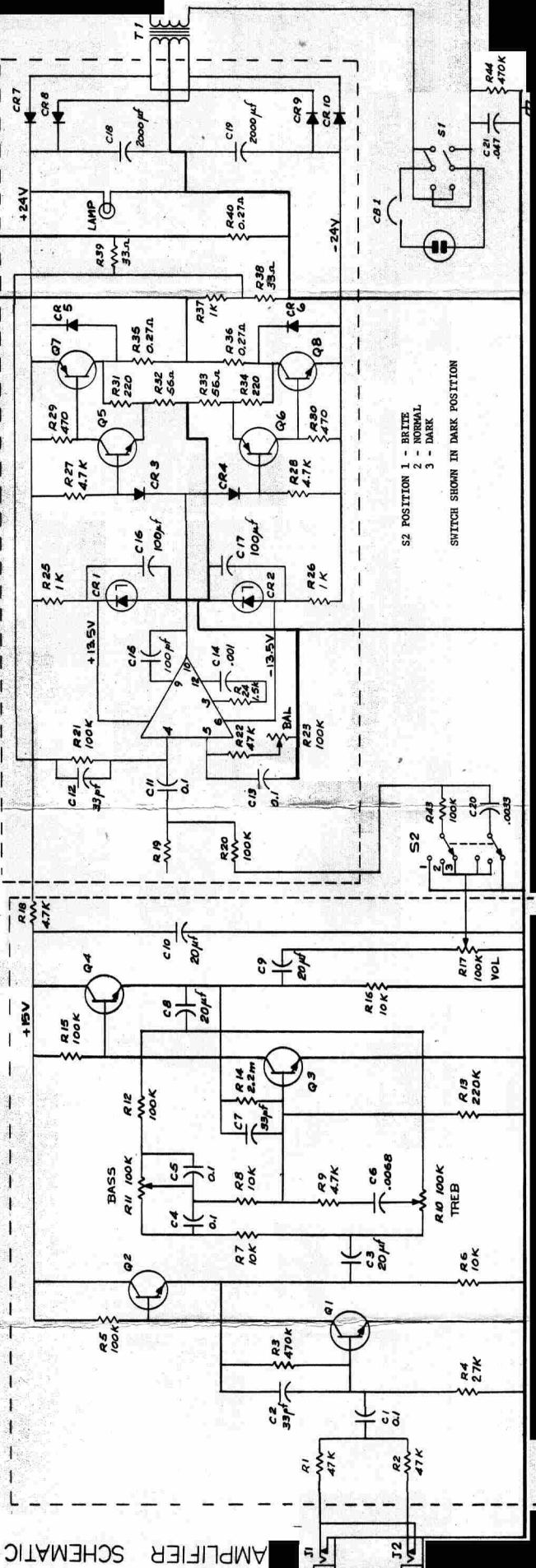


- 05 - MOTOROLA MPS A05
- 06 - MOTOROLA MPS A55
- 07 - MOTOROLA MJE2011
- 08 - MOTOROLA MJE2011
- 01 - MOTOROLA MJE2011
- 02, Q4 - MOTOROLA NC1709C1
- 03 - TS0059

- CR1, CR2 - MOTOROLA 500-19
- CR3 THRU CR10 - 1N4001
- Q1, Q3 - 2N5088
- Q2, Q4 - 2N5223

- ACITOR VALUES ARE IN MICROFARADS  
 UNLESS NOTED, RESISTORS ARE 1/4W, 10%  
 R31, R34 - 1W, 5%  
 R32, R33 - 1/2W, 5%  
 R35, R36, R40-2W, 10%

JORDAN MODEL 120 & 140  
 AMPLIFIER SCHEMATIC



S2 POSITION 1 - BRITE  
 2 - NORMAL  
 3 - DARK  
 SWITCH SHOWN IN DARK POSITION